

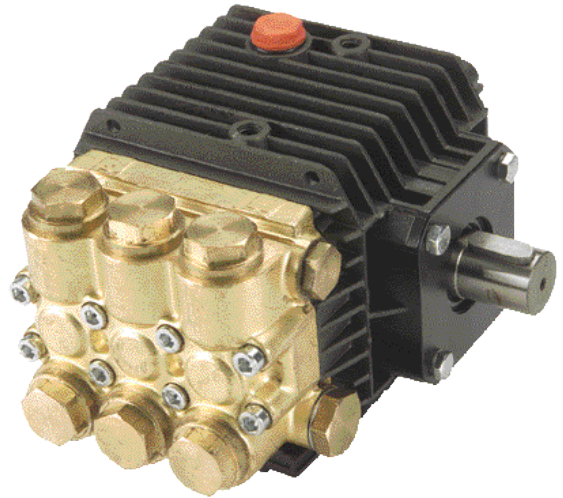
GENERAL PUMP *A member of the Interpump Group*

TP Series 51, S17

Triplex Plunger Pump - Solid Shaft

FEATURES

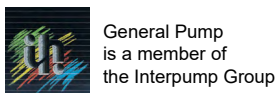
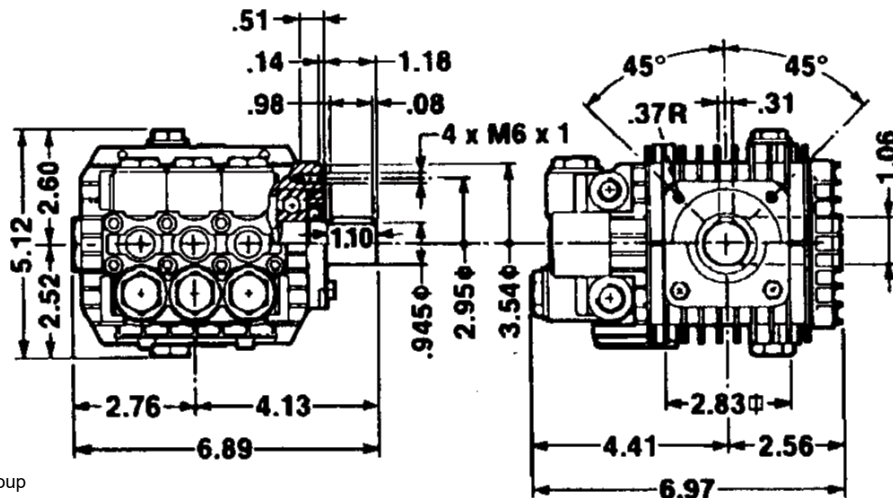
- Forged brass manifold
- Die-cast anodized aluminum, oil-bath crankcase
- Solid ceramic plungers with continuously lubricated packings
- The original Interpump unitized, stainless steel, K01 inlet and outlet valves
- Ideal for all general cleaning applications
- Comes standard with 24 mm solid shaft for pulley or direct drive with flex coupler and bell housing
- Also available in “L” left-handed versions



SPECIFICATIONS

| Pump Model | TP2021S17 | TP2024S17 | TP2032S17 |
|----------------------------|----------------------|-------------------|-------------------|
| Maximum Volume | 2.1 GPM | 2.4 GPM | 3.2 GPM |
| Maximum Discharge Pressure | 2500 PSI | 2000 PSI | |
| Maximum Pump Speed | 1750 RPM | | |
| Maximum Inlet Pressure | 125 PSI | | |
| Maximum Inlet Vacuum | 3 ft. water (2.6 Hg) | | |
| Bore | .591 in. / 15 mm | .709 in. / 18 mm | |
| Stroke | .370 in. / 9.4 mm | .283 in. / 7.2 mm | .370 in. / 9.4 mm |
| Crankcase Oil Capacity | 11.2 oz. | | |
| Maximum Fluid Temperature | 165° F | | |
| Inlet Port Thread | 3/8"-19 BSPP-F | | |
| Discharge Port Thread | 1/4"-19 BSPP-F | | |
| Shaft Diameter | .945 in. / 24 mm | | |
| Weight | 11.2 lbs. | | |
| Dimensions | 7.0" x 6.9" x 5.1" | | |

DIMENSIONAL DRAWING

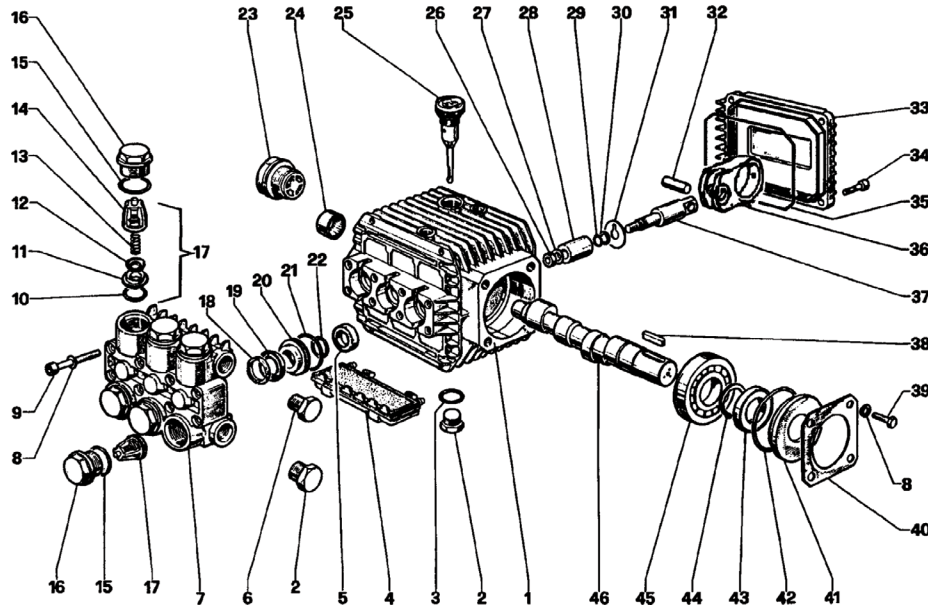


Ref 300158 Rev C
06-22



TP Series 51, Solid Shaft

GENERAL PUMP *A member of the Interpump Group*



PARTS LIST

| ITEM | PART NO. | DESCRIPTION | QTY. | ITEM | PART NO. | DESCRIPTION | QTY. | ITEM | PART NO. | DESCRIPTION | QTY. |
|------|----------|-----------------------|------|------|----------|-----------------------|------|------|----------|---------------------|------|
| 1. | 51010622 | Crankcase | 1 | 18. | 51100051 | Head Ring, 15mm | 3 | 30. | 90502200 | Back-up Ring | 3 |
| 2. | 98210000 | Plug, 3/8-BSP | 2 | | 51100151 | Head Ring, 18mm | 3 | 31. | 96707000 | Washer, Flinger | 3 |
| 3. | 90383300 | O-ring, .549 x .103 | 1 | 19. | 90262000 | Packing 15mm | 3 | 32. | 97371000 | Connecting Rod Pin | 3 |
| 4. | 51209102 | Protector | 1 | | 90268100 | Packing, 18mm | 3 | 33. | 51160022 | Crankcase Cover | 1 |
| 5. | 90156500 | Oil Seal | 3 | 20. | 51080070 | Packing Retainer | 3 | 34. | 99186700 | Screw | 4 |
| 6. | 98204100 | Plug | 1 | | 51080370 | Pack. Retainer, 18mm | 3 | 35. | 90391700 | Cover O-ring | 1 |
| 7. | 51120041 | Manifold, Brass, 15mm | 1 | 21. | 90360400 | O-ring, .989 x .07086 | 3 | 36. | 51030122 | Connecting Rod | 3 |
| | 51120441 | Manifold, Brass, 18mm | 1 | | | O-ring, 18mm | 3 | 37. | 51050056 | Plunger Rod | 3 |
| 8. | 96693800 | Washer, M6.4, Schnorr | 8 | 22. | 90383500 | O-ring, .594 x .103 | 3 | 38. | 91484800 | Key | 1 |
| 9. | 99194300 | Screw, M6 x 40 | 8 | | 90384300 | O-ring, 18mm | 3 | 39. | 99180700 | Screw | 4 |
| 10. | 90384100 | O-ring, .674 x .103 | 6 | 23. | 97596800 | Sight Gauge | 1 | 40. | 50150074 | Retainer | 1 |
| 11. | 36200366 | Valve Seat | 6 | 24. | 91801500 | Needle Bearing | 1 | 41. | 50211551 | Spacer | 1 |
| 12. | 36200176 | Valve Plate | 6 | 25. | 98210300 | Oil Dip Stick | 1 | 42. | 90409700 | O-ring | 1 |
| 13. | 94737600 | Spring | 6 | 26. | 92221600 | Nut, M8 | 3 | 43. | 90163400 | Oil Seal | 1 |
| 14. | 36202551 | Valve Cage | 6 | 27. | 96700800 | Washer, M8 | 3 | 44. | 90063500 | Snap Ring | 1 |
| 15. | 90384700 | O-ring, .797 x .103 | 6 | 28. | 51040009 | Plunger, 15 mm | 3 | 45. | 91832900 | Bearing | 1 |
| 16. | 98221800 | Valve Cap | 6 | | 51040166 | Plunger, 18 mm | 3 | 46. | 51020165 | Crankshaft | 1 |
| 17. | 36711501 | Valve Assembly | 6 | 29. | 90357200 | O-ring, .208 x .070 | 3 | | 51021765 | Crankshaft (TP2024) | 1 |

REPAIR KITS

| KIT NO. | 83 | 86 (15mm) | 96 (15 mm) | 97 (15mm) | 123 | 139 (18mm) | 140 (18mm) | 141 (18mm) |
|--------------------------------------|----|--------------|--------------------|----------------|--------------------------|---------------|--------------------|----------------|
| ITEM NO's INCLUDED IN KIT | 5 | 20, 21, 22 | 18, 19, 20, 21, 22 | 18, 19, 21, 22 | 6, 7, 8, 10, 11, 12 (17) | 20, 21, 22 | 18, 19, 20, 21, 22 | 18, 19, 21, 22 |
| NUMBER OF ASSEMBLIES IN KIT | 3 | 3 | 1 | 3 | 6 | 3 | 1 | 3 |
| NUMBER OF CYLINDERS KIT WILL SERVICE | 3 | 3 | 1 | 3 | 3 | 3 | 1 | 3 |

TORQUE SPECS*

| Position | Ft. Lbs. | Nm |
|----------|----------|----|
| 2 | 29.4 | 40 |
| 6 | 14.7 | 20 |
| 9 | 8.8 | 12 |
| 16 | 33.1 | 45 |
| 23 | 13.2 | 18 |
| 26 | 11.0 | 15 |
| 34 | 7.3 | 10 |
| 39 | 7.3 | 10 |

* Decrease torque by 20% if threads are lubricated

WARNING: High Pressure Systems require a primary pressure regulating device (i.e. regulator, unloader) and a secondary pressure relief device (i.e. pop-off valve, relief valve). Failure to install such relief devices properly could result in personal injury or damage to pump or property. GP does not assume any liability or responsibility for the operation of the user's high pressure system.



WARNING: This product can expose you to chemicals including lead, which is known to the state of California to cause cancer and birth defects or other reproductive harm. For more information, go to www.P65Warnings.ca.gov

