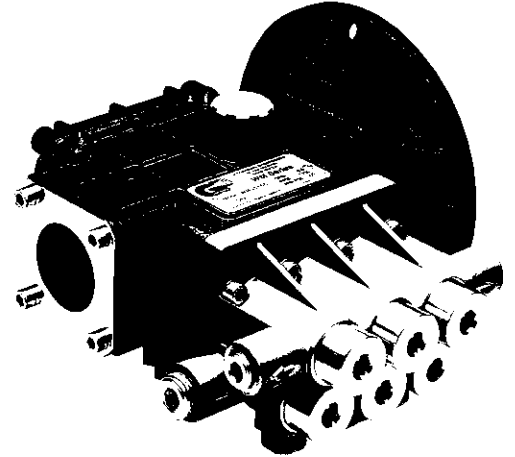
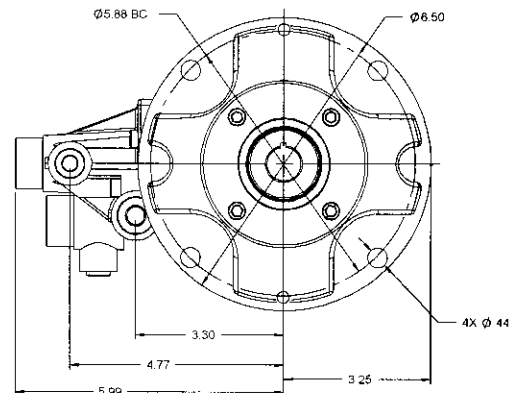
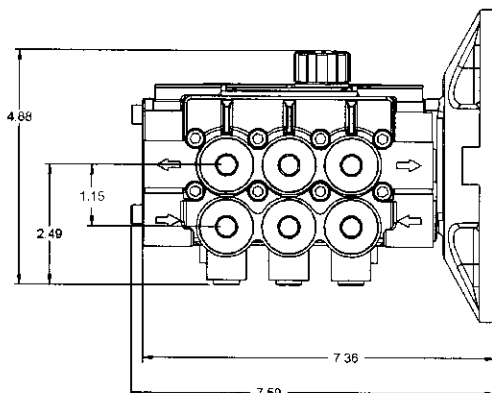


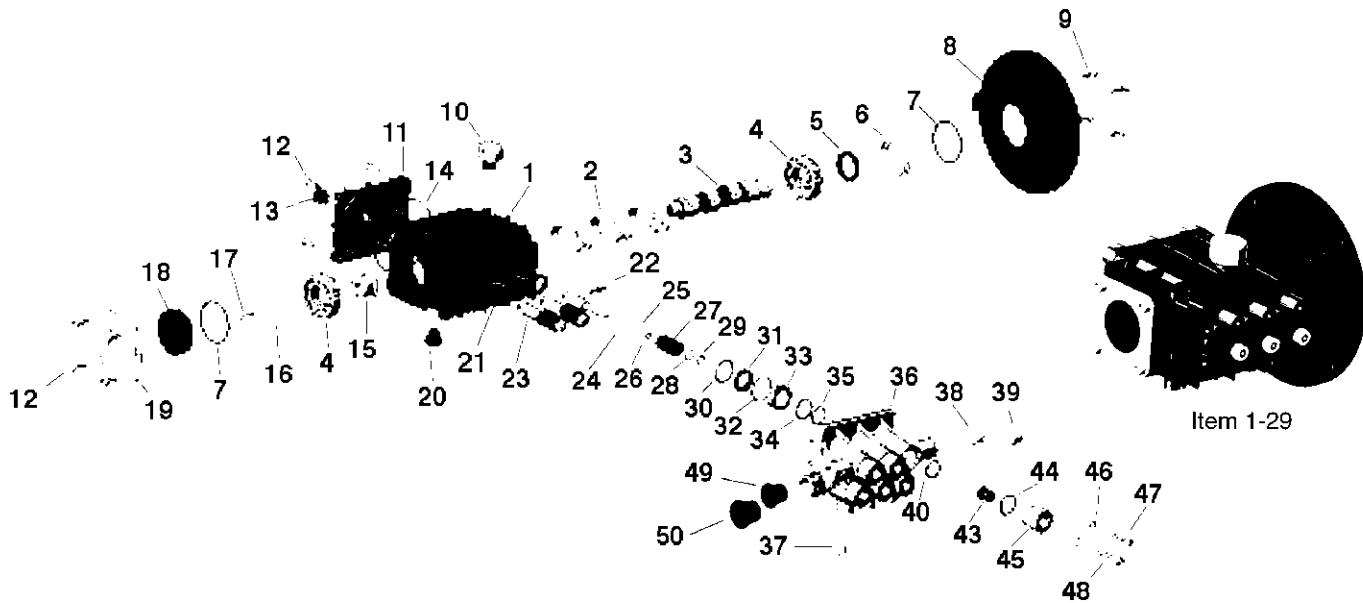
**FEATURES**

- 316 stainless steel fluid end
- 300 series stainless steel fasteners
- Parallel inlet and outlet valve design for easy maintenance and improved efficiency
- Corrosion-resistant valve and packing design
- Innovative, wear-resistant high- and low-pressure seals for ultimate life
- Dual inlet and outlet porting for flexible plumbing options
- Anodized aluminum crankcase for superior protection
- Double ball bearing design for ultimate crankshaft support
- NEMA 56C flange with 5/8" hollow shaft for direct mounting with standard electric motors
- Left-handed crankshaft orientation also available

**SPECIFICATIONS**

Pump Model	WM2315C	WM3015C	WM3615C	WM4215C
Maximum Volume	2.3 GPM	3.0 GPM	3.6 GPM	4.2 GPM
Max. Discharge Pressure	1500 PSI			
Maximum Pump Speed	1750 RPM			
Rated Inlet Pressure	-5 - 50 PSI			
Bore	.787 in. / 20 mm			
Stroke	.295 in. / 7.5 mm	.370 in. / 9.4 mm	.413 in. / 10.5 mm	.492 in. / 12.5 mm
Crankcase Oil Capacity	12.0 oz.			
Maximum Fluid Temp.	140°F			
Inlet Port Thread	1/2 NPT-F			
Discharge Port Thread	3/8 NPT-F			
Shaft Diameter.	5/8" Hollow			
Weight	13.5 lbs.			
Dimensions	9" x 7.5" x 6"			

**DIMENSIONAL DRAWING**



**PARTS LIST**

Item	Part #	Description	Qty	Item	Part #	Description	Qty
1-29	195014	WM2315C Crankshaft Case Assembly	1	20	650031	Oil Drain Plug	1
	195011	As above – left handed version		21	710002	Oil Seal Plunger	3
	195019	WM3015C Crankshaft Case Assembly		22	650023	Wrist Pin	3
	195009	As above – left handed version		23	650020	Plunger Rod	3
	195015	WM3615C Crankshaft Case Assembly		24	650021	Slinger	3
	195012	As above – left handed version		25	660024	Anti-Extrusion Ring	3
	195016	WM4215C Crankshaft Case Assembly		26	701501	O-Ring Plunger	3
	195010	As above – left handed version		27	650018	Plunger 18mm	3
1	650000	Crankcase	1	28	203401	Washer, Plunger Rod	3
2	650024	Connecting Rod	3	29	203000	Nut, Plunger Rod	3
3	650002	Crankshaft, WM2315C	1	30	660053	Seal Retainer	3
	650003	Crankshaft, WM3015C		31	710012	Low Pressure Seal	3
	650004	Crankshaft, WM3615C		32	701023	O-Ring Seal Case	3
	650005	Crankshaft, WM4215C		33	660054	Seal Case	3
4	147001	Bearing	2	34	710011	Square Ring, High Pressure Seal	3
5	710005	Oil Seal, Crankshaft	1	35	710010	Glyd Ring, High Pressure Seal	3
6	650039	Retainer, Oil Seal	1	36	520055	Manifold	1
7	701133	O-Ring, Oil Seal Retainer/Side Cover	2	37	520061	1/4 NPT Plug	3
8	650034	Flange, NEMA 56C Face	1	38	520063	3/8 NPT Plug	1
9	200005	Screw SHCS 18mm Long	4	39	520062	1/2 NPT PLUG	1
10	650032	Oil Cap	1	40	701115	O-Ring Valve Spacer	6
11	650026	Rear Cover	1	43	103042	Valve	6
12	200003	Screw SHCS 16mm Long	8	44	701002	O-Ring Valve Cap	6
13	650025	Sight Glass	1	45	520057	Valve Plug	6
14	701610	O-Ring, Rear Cover	1	46	203510	Washer, Ribbed Lock	8
15	650015	Bushing	1	47	200025	Screw SHCS 25mm Long	4
16	650013	Washer	1	48	200026	Screw SHCS 35mm Long	4
17	200004	Screw HHCS 20mm long	1	49	145029	Plug, Cap #7	1
18	650010	Side Cover	1	50	145030	Plug, Cap #9	1
19	650009	Side Plate	1				

**REPAIR KITS**

KIT NO.	WM02	WM01
ITEM NO.s INCLUDED IN KIT	30, 31, 32, 33 34, 35 *	40, 43 44
NUMBER OF ASSEMBLIES IN KIT	3	6

**TORQUE SPECS**

Position	Ft.-lbs.
9	7.3
12	7.3
17	10.0
29	7.3
45	3.5
47	8.0
48	8.0

\*Includes 660062 and 660063 seal installation tools.

