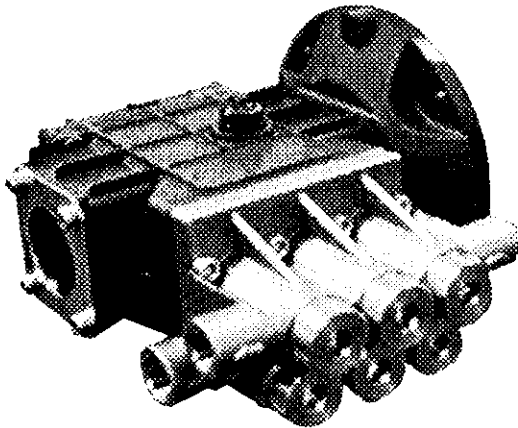


MAXIMUM PERFORMANCE: 0.5 GPM @ 1500 PSI



SPECIFICATIONS

| | |
|---------------------------------|-------------------|
| Flow | .5 GPM |
| Rated Pump Speed | 1750 RPM |
| Max. Discharge Pressure | 1500 PSI |
| Max. Inlet Vacuum — (in. Hg) | -10 |
| Crankcase Capacity | 12 oz. |
| Use General Pump Series 100 Oil | |
| Max. Fluid Temperature | 140°F |
| Bore | .709 in. (18 mm) |
| Stroke | .063 in. (1.6 mm) |
| Manifold Discharge Port | 3/8 NPT(F) |
| Manifold Inlet Port | 3/8-19 NPT(F) |
| Shaft Diameter | 5/8 Hollow |
| Weight | 13.5 lbs |
| Dimensions | 9" X 7.5" X 6" |

WARRANTY

The following statement is intended to assist our customers in understanding the terms of our warranty, the circumstances under which we will honor claims, and the procedure for making such claims.

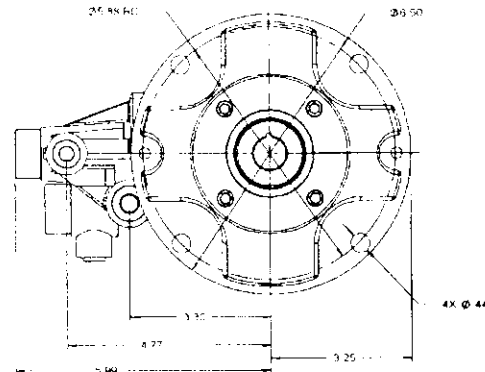
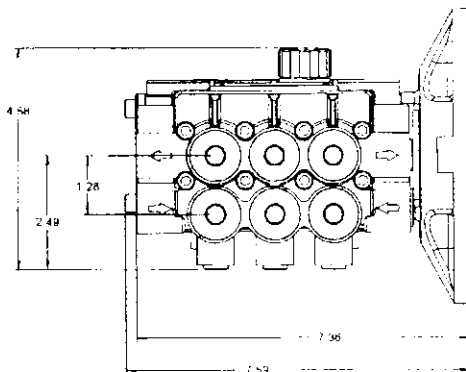
General Pump, Inc. warrants each pump manufactured by *General Pump, Inc.* to be free of defects in material or workmanship for a period of five (5) years from the date of shipment. In addition, *General Pump, Inc.* warrants all forged brass pump manifolds to be free of defects in material and workmanship and from damage resulting from **freezing** for the life of the pump. Liability under this warranty is on all non-wear parts and limited to the repair or replacement of any pump returned to *General Pump, Inc.* which upon inspection, is judged to be defective due to workmanship or material failure. Accessories have a 90 day warranty against defects in material and workmanship. Any product returned to *General Pump, Inc.* should be shipped freight prepaid to *General Pump, Inc.* – 1174 Northland Drive – Mendota Heights, MN 55120 and must display a Return Authorization Number obtained from *General Pump Inc.*'s Customer Service Department (612)454-6500, FAX 1-800-535-1745. *General Pump, Inc.* agrees to be responsible for return shipping costs on any approved warranty repair or replacement utilizing a carrier of our choice.

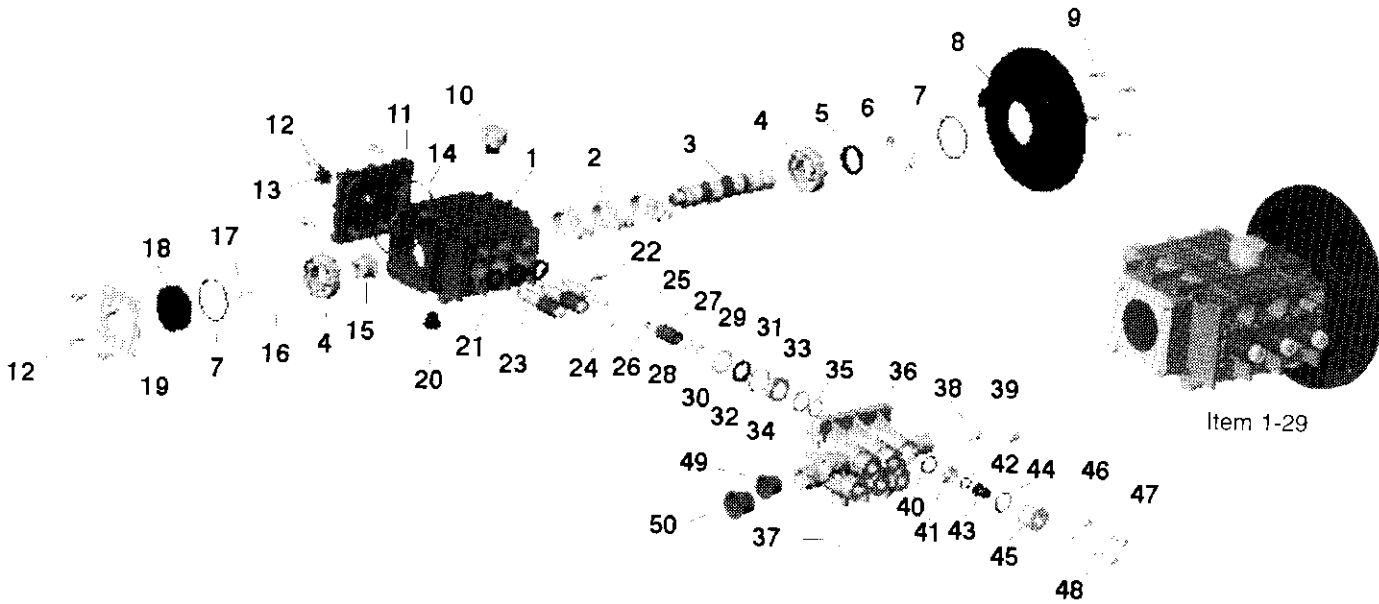
In the course of marketing or servicing the customer or potential customer's needs, *General Pump, Inc.* will use its best judgement in its recommendations. However, the ultimate responsibility for product application decisions shall rest with the customer. The sole and only warranty made by *General Pump, Inc.* is the limited warranty described above. *General Pump, Inc.* disclaims and denies any liability for any direct, indirect, special, incidental or consequential damages which may be suffered as a result of sale, delivery, servicing, use, loss of any product, downtime, labor, freight or other charges not expressly included herein. The only liability and the total liability of *General Pump, Inc.* under this limited warranty or in any claim regarding or involving *General Pump, Inc.* is expressly limited to the replacement of or purchase price of the product.

The following items are not warranted, due to matters beyond *General Pump, Inc.* control. 1) Normal wear and tear to parts that are considered standard wear parts; 2) Defects caused by the fault or negligence of the buyer or third party; 3) Use of unauthorized repair parts; or 4) Modifications made by the customer. Call customer service if any other questions arise.

This supersedes and replaces non-dated warranties or previously dated warranties (5/1/96).

DIMENSIONAL DRAWING





PARTS LIST

| Item | Part # | Description | Qty | Item | Part # | Description | Qty |
|------|--------|--------------------------------------|-----|------|--------|---------------------------------|-----|
| 1-29 | 195013 | Crankcase Assembly | 1 | 28 | 203401 | Washer, Plunger Rod | 3 |
| 1 | 650000 | Crankcase | 1 | 29 | 203000 | Nut, Plunger Rod | 3 |
| 2 | 650024 | Connecting Rod | 3 | 30 | 660053 | Seal Retainer | 3 |
| 3 | 650001 | Crankshaft 5/8" Hollow 0.5 GPM | 1 | 31 | 710012 | Low Pressure Seal | 3 |
| 4 | 147001 | Bearing | 2 | 32 | 701023 | O-Ring Seal Case | 3 |
| 5 | 710005 | Oil Seal, Crankshaft | 1 | 33 | 660054 | Seal Case | 3 |
| 6 | 650039 | Retainer, Oil Seal | 1 | 34 | 710011 | Square Ring, High Pressure Seal | 3 |
| 7 | 701133 | O-Ring, Oil Seal Retainer/Side Cover | 2 | 35 | 710010 | Glyd Ring, High Pressure Seal | 3 |
| 8 | 650034 | Flange, NEMA 56C Face | 1 | 36 | 520055 | Manifold | 1 |
| 9 | 200005 | Screw SHCS 18mm Long | 4 | 37 | 520061 | 1/4 NPT Plug | 3 |
| 10 | 650032 | Oil Cap | 1 | 38 | 520063 | 3/8 NPT Plug | 1 |
| 11 | 650026 | Rear Cover | 1 | 39 | 520062 | 1/2 NPT PLug | 1 |
| 12 | 200003 | Screw SHCS 16mm Long | 8 | 40 | 701115 | O-Ring Valve Spacer | 6 |
| 13 | 650025 | Sight Glass | 1 | 41 | 660055 | Valve Spacer | 6 |
| 14 | 701610 | O-Ring, Rear Cover | 1 | 42 | 701615 | O-Ring Valve | 6 |
| 15 | 650015 | Bushing | 1 | 43 | 100365 | Valve | 6 |
| 16 | 650013 | Washer | 1 | 44 | 701002 | O-Ring Valve Cap | 6 |
| 17 | 200004 | Screw HHCS 20mm long | 1 | 45 | 520057 | Valve Plug | 6 |
| 18 | 650010 | Side Cover | 1 | 46 | 203510 | Washer, Ribbed Lock | 8 |
| 19 | 650009 | Side Plate | 1 | 47 | 200025 | Screw SHCS 25mm Long | 4 |
| 20 | 650031 | Oil Drain Plug | 1 | 48 | 200026 | Screw SHCS 35mm Long | 4 |
| 21 | 710002 | Oil Seal Plunger | 3 | 49 | 145029 | Plug, Cap #7 | 1 |
| 22 | 650023 | Wrist Pin | 3 | 50 | 145030 | Plug, Cap #9 | 1 |
| 23 | 650020 | Plunger Rod | 3 | | | | |
| 24 | 650021 | Slinger | 3 | | | | |
| 25 | 660024 | Anti-Extrusion Ring | 3 | | | | |
| 26 | 701501 | O-Ring Plunger | 3 | | | | |
| 27 | 650018 | Plunger 18mm | 3 | | | | |

REPAIR KITS

| Kit# | WM02 | WM05 |
|------------------|-----------------------|-------------------|
| Item# In Kit | 30,31,32,33 3 4,35 | 40,41,42,43 44 |
| # of Assy In Kit | 3 | 6 |

TORQUE SPECS*

| Item | Ft.-Lbs. |
|------|----------|
| 9 | 7.3 |
| 12 | 7.3 |
| 17 | 10 |
| 29 | 7.3 |
| 45 | 3.5 |
| 47 | 8 |
| 48 | 8 |

