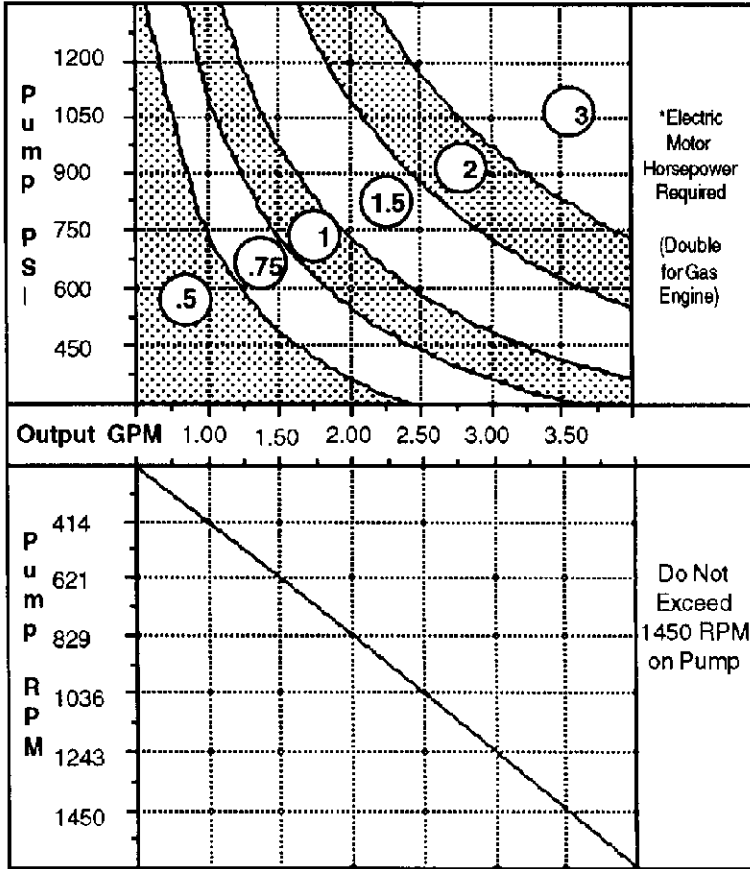


MAXIMUM PERFORMANCE: 3.5 GPM @ 1200 PSI @ 1450 RPM

APPLICATION DATA



Example: (You require 3.0 GPM @ 1200 PSI.) 3.0 GPM and 1200 PSI lines cross within 3 HP motor band (required motor HP). Follow 3.0 GPM vertical line down to diagonal line in lower chart, then left to 1243 RPM (required pump RPM).

LUBRICATION Fill crankcase to dot on oil gauge window per specifications with General Pump Series 100 oil. Change oil after 40-hour break-in period. Change oil every three months or at 500 hour intervals thereafter.

SPECIFICATIONS

Max. Volume	3.5 GPM
Max. Discharge Pressure	1200 PSI
Max. Inlet Pressure	125 PSI
Max. Inlet Vacuum Ft. Water (in. Hg)	9 (7.9)
Max. Pump Speed	1450 RPM
Bore	.787 in. (20 mm)
Stroke	.394 in. (10 mm)
Crankcase Capacity	15.2 oz.
Use General Pump Series 100 Oil	
Max. Fluid Temperature	165°F
Inlet Port Thread	1/2-14 BSPP - F
Discharge Port Thread	3/8-19 BSPP - F
Shaft Diameter	.945 in. (24 mm)
Weight	14.3 lb.
Dimensions	9.3 x 8.3 x 5.4 in.

WARRANTY

The following statement is intended to assist our customers in understanding the terms of our warranty, the circumstances under which we will honor claims, and the procedure for making such claims.

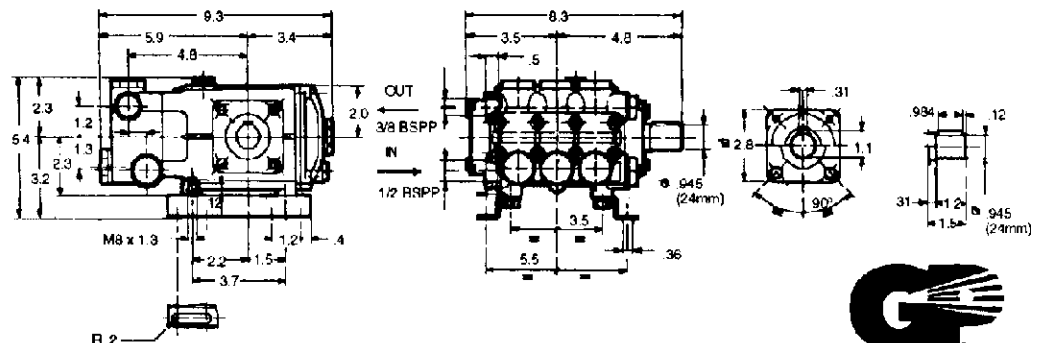
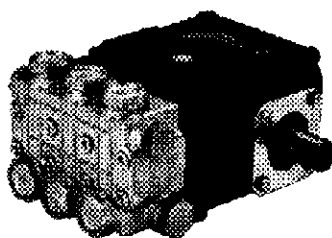
General Pump/US warrants each pump manufactured by General Pump/Interpump to be free of defects in material or workmanship for a period of five (5) years from the date of shipment. In addition, General Pump/US warrants all forged brass pump manifolds to be free of defects in material and workmanship and from damage resulting from freezing for the life of the pump. Liability under this warranty is on all non-wear parts and limited to the repair or replacement of any pump returned to General Pump/US which upon inspection, is judged to be defective due to workmanship or material failure. Accessories have a 90 day warranty against defects in material and workmanship. Any product returned to General Pump should be shipped freight prepaid to General Pump - 1174 Northland Drive - Mendota Heights, MN 55120 and must display a Return Authorization Number obtained from General Pump's Customer Service Department (612)454-6500, FAX 1-800-535-1745. General Pump/US agrees to be responsible for return shipping costs on any approved warranty repair or replacement utilizing a carrier of our choice.

In the course of marketing or servicing the customer or potential customer's needs, General Pump/US will use its best judgement in its recommendations. However, the ultimate responsibility for product application decisions shall rest with the customer. The sole and only warranty made by General Pump/US is the limited warranty described above. General Pump/US makes no other warranty or warranties of any kind, express or implied, including any implied warranty of merchantability or of fitness for a particular use or purpose. General Pump/US disclaims and denies any liability for any direct, indirect, special, incidental or consequential damages which may be suffered as a result of sale, delivery, servicing, use, loss of any product, downtime, labor, freight or other charges not expressly included herein. The only liability and the total liability of General Pump/US under this limited warranty or in any claim regarding or involving General Pump/US is expressly limited to the replacement of or purchase price of the product.

The following items are not warranted, due to matters beyond General Pump/US control: 1) Normal wear and tear to parts that are considered standard wear parts; 2) Defects caused by the fault or negligence of the buyer or third party; 3) Use of unauthorized repair parts or 4) modifications made by the customer. Call customer service if any other questions arise.

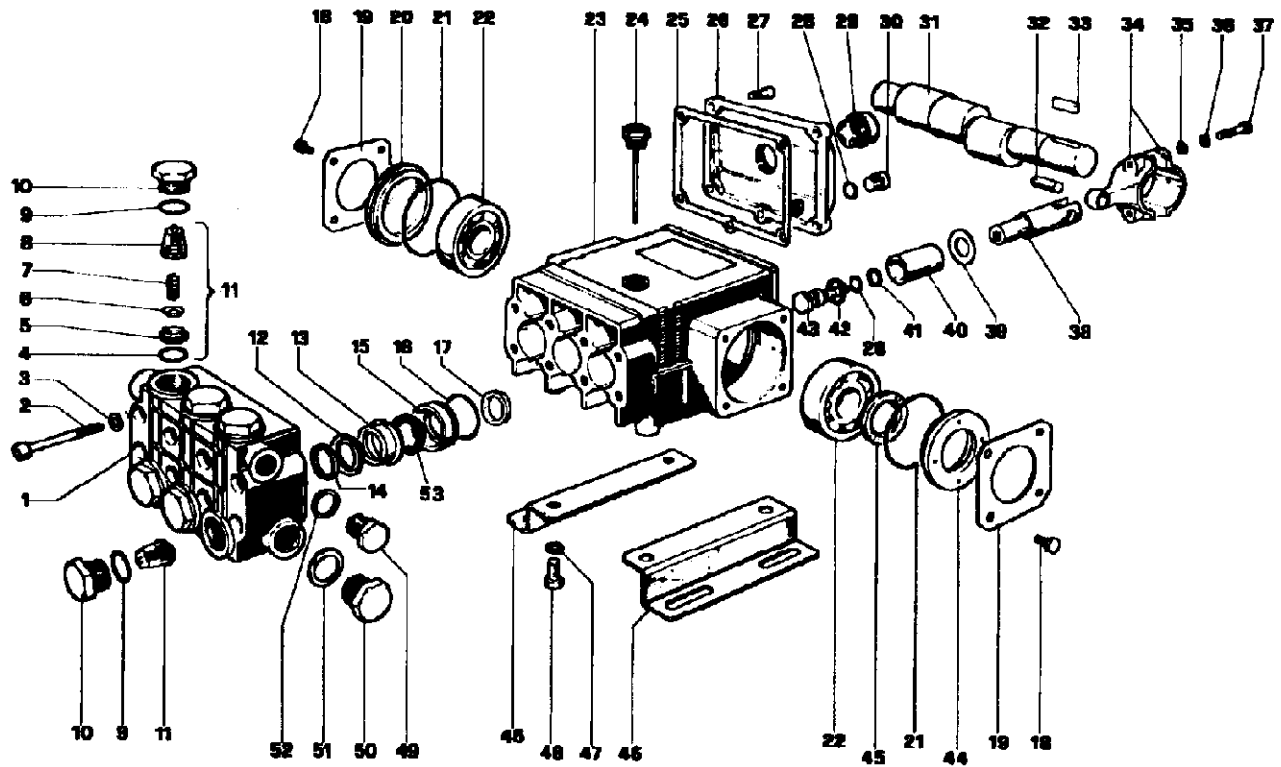
This supersedes and replaces non-dated warranties or previously dated warranties (1/10/94).

DIMENSIONAL DRAWING



T711 TRIPLEX PLUNGER PUMP

GENERAL PUMP INCORPORATED



PARTS LIST

ITEM	PART NO.	KIT NO.	DESCRIPTION	QTY.	ITEM	PART NO.	KIT NO.	DESCRIPTION	QTY.	ITEM	PART NO.	KIT NO.	DESCRIPTION	QTY.
1.	50.1207.41		Pump Head-Brass	1	18.	99.1807.00		Screw	8	36.	96.6939.00		Washer	6
2.	99.3175.00		Screw	8	19.	50.1500.74		Crankcase Cover	2	37.	99.1927.00		Screw	6
3.	96.7014.00		Washer	8	20.	50.2116.51		Spacer	1	38.	50.0501.56		Piston Guide	3
4.	90.3841.00	1	O-Ring, .675 x .103	6	21.	90.4097.00		O-Ring, 2.188 x .139	2	39.	96.7286.00	6	Washer	3
5.	36.2003.66	1	Valve Seat	6	22.	91.8329.00		Ball Bearing	2	40.	50.0404.09		Piston (20 mm)	3
6.	36.2001.76	1	Valve Plate	6	23.	50.0104.22		Crankcase	1	41.	90.5067.00	6	Anti-Ext. Ring	3
7.	94.7376.00	1	Spring	6	24.	98.2103.00		Oil Dip Stick	1	42.	96.7280.00	6	Washer	3
8.	36.2002.51	1	Valve Guide	6	25.	90.3820.00		O-Ring, 3.987 x .103	1	43.	47.2195.66	6	Piston Screw	3
9.	90.3847.00	4	O-Ring, .797 x .103	6	26.	50.1800.22		Cover	1	44.	50.2115.51		Spacer	1
10.	98.2220.00	4	Cap	6	27.	99.1837.00		Screw	5	45.	90.1634.00		Oil Seal	1
11.	36.7032.01	1	Valve Assembly	6	28.	90.3585.00	6	O-Ring, .426 x .070	4	46.	50.2000.74		Pump Feet	2
12.	90.2703.00	19, 27	Packings	3	29.	97.5968.00		Oil Level Indicator	1	47.	96.7016.00		Washer	4
13.	50.2166.70	20, 27	Intermediate Rings	3	30.	98.2041.00		Cap	1	48.	99.3037.00		Screw	4
14.	50.1000.51	21, 27	Head Ring	3	31.	50.0218.35		Crankshaft	1	49.	98.2100.00		Cap	1
15.	50.0805.70	22, 27	Packing Retainer	3	32.	97.7330.00		Wrist Pin	3	50.	98.2176.00		Cap	1
16.	90.3612.00	22, 27	O-Ring, 1.239 x .070	3	33.	91.4890.00		Key	1	51.	96.7514.00		Washer	1
17.	90.1614.00	23	Oil Seal	3	34.	50.0300.01		Connecting Rod	3	52.	96.7380.00		Washer	1
										53.	90.2698.00		Packing, Low Press.	3

REPAIR KITS

KIT NO.	1	4	6	19	20	21	22	23	27
ITEM NO'S INCLUDED IN KIT	4, 5, 6, 7, 8 (11)	9, 10	28, 39, 41, 42, 43	12, 53	13	14	15, 16	17	12, 13, 14, 15, 16
NUMBER OF ASSEMBLIES IN KIT	6	6	3	3	3	6	3	3	1
NUMBER OF CYLINDERS KIT WILL SERVICE	3	3	3	3	3	3	3	3	1

TORQUE SPECS*

Position	Ft.-lbs.
2	14.7
10	73.7
18	7.3
27	7.3
29	13.2
30	14.7
37	8.8
43	14.7
48	14.7
49	29.4
50	29.4

*Decrease torque by 20% if threads are lubricated.

GENERAL PUMP INCORPORATED

1174 NORTHLAND DRIVE • MENDOTA HEIGHTS, MN 55120 • PHONE: (612) 454-6500 • FAX: (612) 454-4524

300241 Rev. A
7-95

