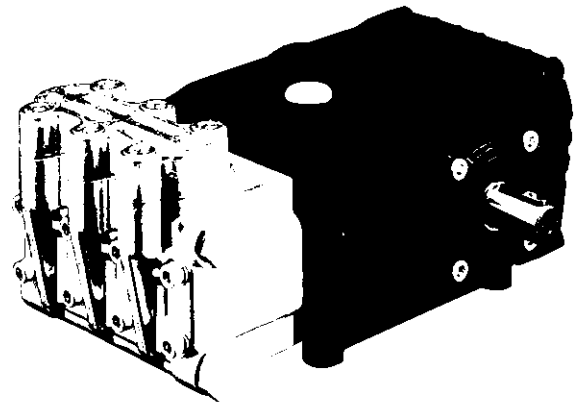


FEATURES

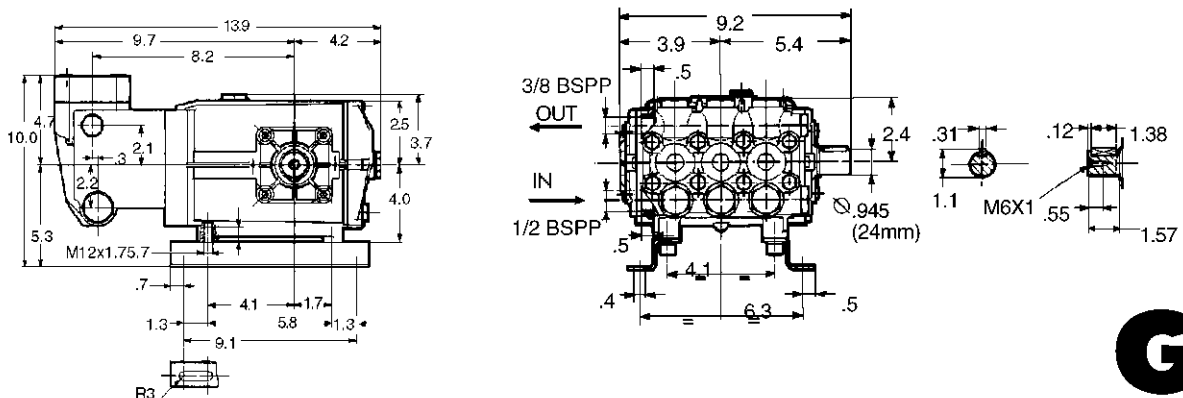
- Forged brass manifold that's twice as strong as cast
- Stainless steel piston guides
- Unique "in-line" valve system for easy access and durability
- Small bore combined with long stroke for maximum efficiency
- Thermally-bonded ceramic coating rated to 10,000 PSI
- The highest pressure for the best price in the industry
- Proven crankcase and bearing design
- Available in left-handed "L" version

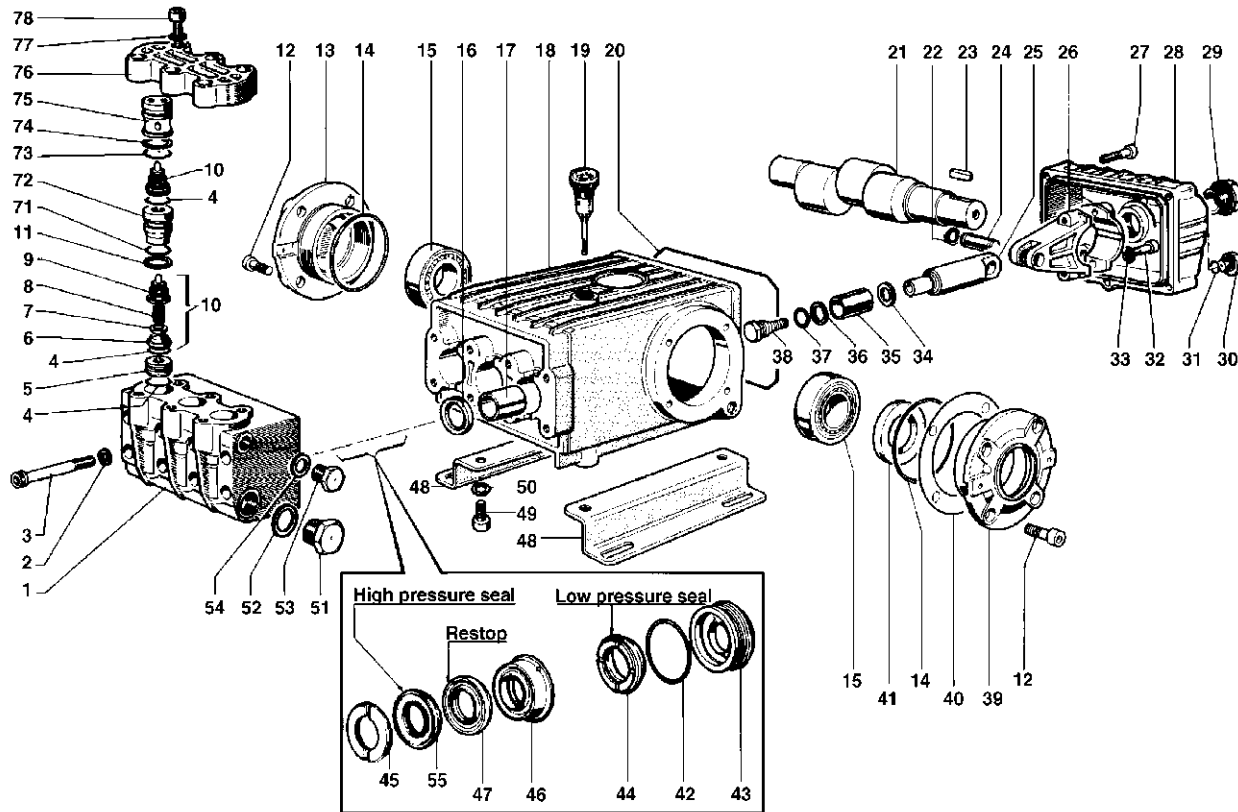


SPECIFICATIONS

Pump Model	T5050
Maximum Volume	5.0 GPM
Maximum Discharge Pressure	5000 PSI
Maximum Pump Speed	1845 RPM
Maximum Inlet Pressure	30 – 125 PSI
Maximum Inlet Vacuum	9 ft. water (7.9 in. Hg)
Bore	.630 in. / 16 mm
Stroke	.748 in. / 19 mm
Crankcase Oil Capacity	40.6 oz.
Maximum Fluid Temperature	165°F
Inlet Port Thread	1/2-14 BSPP-F
Discharge Port Thread	3/8-19 BSPP-F
Shaft Diameter.	.945 in. / 24 mm
Weight	41 lbs.
Dimensions	14.2 x 9.2 x 6.9 in.

DIMENSIONAL DRAWING





PARTS LIST

ITEM	PART NO.	DESCRIPTION	KIT NO.	QTY.	ITEM	PART NO.	DESCRIPTION	KIT NO.	QTY.	ITEM	PART NO.	DESCRIPTION	KIT NO.	QTY.
1.	47.1216.41	Manifold		1	22.	90.0557.00	Cir-Clip		6	43.	47.0811.70	Packing Retainer	151	3
2.	96.7020.00	Washer		8	23.	91.4890.00	Key		1	44.	90.2644.00	Seal, Low Press., 16mm	109,151	3
3.	99.3260.00	Bolt		8	24.	97.7380.00	Plunger Pin		3	45.	47.1003.51	Head Ring	108,151	3
4.	90.3841.00	O-Ring		9	25.	47.0506.54	Plunger Guide		3	46.	47.2172.70	Intermed. Ring	110,151	3
5.	47.2104.70	Spacer		3	26.	47.0300.01	Connecting Rod		3	47.	90.2643.00	Restop Ring	109,151	3
6.	36.2003.66	Seat, Valve		6	27.	99.1912.00	Screw		5	48.	47.2000.74	Foot		2
7.	36.2032.66	Plate, Valve		6	28.	47.1601.22	Crankcase Cover		1	49.	99.3644.00	Screw		4
8.	94.7376.00	Spring, Valve		6	29.	97.5968.00	Oil Indicator		1	50.	96.7106.00	Washer		4
9.	36.2025.51	Cage, Cage		6	30.	98.2041.00	Cap		1	51.	98.2176.00	Cap		1
10.	36.7121.01	Valve	150	6	31.	90.3585.00	O-Ring		1	52.	96.7514.00	Washer		1
11.	90.5115.00	Back-up Ring		3	32.	99.3099.00	Screw		6	53.	98.2100.00	Cap		1
12.	99.3039.00	Screw		8	33.	96.7014.00	Washer		6	54.	96.7380.00	Washer		1
13.	47.1501.22	Crankcase Cover		1	34.	47.2102.70	Ring		3	55.	90.2642.00	Packing	109,151	3
14.	90.3913.00	O-Ring		2	35.	47.0408.56	Plunger (16 mm)		3	71.	90.384300	O-Ring		3
15.	91.8377.00	Bearing		2	36.	90.5033.00	Anit-Ext. Ring		3	72.	47.2103.66	Guide, Valve		3
16.	90.1625.00	Ring	2	3	37.	90.3577.00	O-Ring		3	73.	90.4041.00	O-Ring		3
17.	90.9126.00	Bushing		3	38.	47.2196.66	Plunger Screw		3	74.	90.5146.00	Anti-Extrusion Ring		3
18.	47.0106.22	Crankcase		1	39.	47.1500.22	Crankcase Cover		1	75.	47.2101.70	Cap		3
19.	98.2106.00	Cap		1	40.	97.5678.00	Shim		2	76.	47.2100.41	Cover, Valve		1
20.	90.3922.00	O-Ring, Cover		1	41.	90.1648.00	Ring	3	1	77.	96.7195.00	Washer		6
21.	47.0223.35	Crankshaft		1	42.	90.3616.00	O-Ring	151	3	78.	99.4282.00	Bolt		6

REPAIR KITS

KIT NO.	2	3	108	109	110	150	151
ITEM NO.s INCLUDED IN KIT	16	41	45	44, 47, 55	46	10	42, 43, 44, 45, 46, 47, 55
NUMBER OF ASSEMBLIES IN KIT	3	2	6	3	3	6	1
NUMBER OF CYLINDERS KIT WILL SERVICE	3	2	6	3	3	—	1

TORQUE SPECS*

Position	Ft.-lbs.
3	28.9
12	14.7
27	7.3
29	13.2
30	14.7
32	14.7
38	14.7
49	29.4
51	29.4
53	29.4
78	72.3

*Decrease torque by 20% if threads are lubricated.

