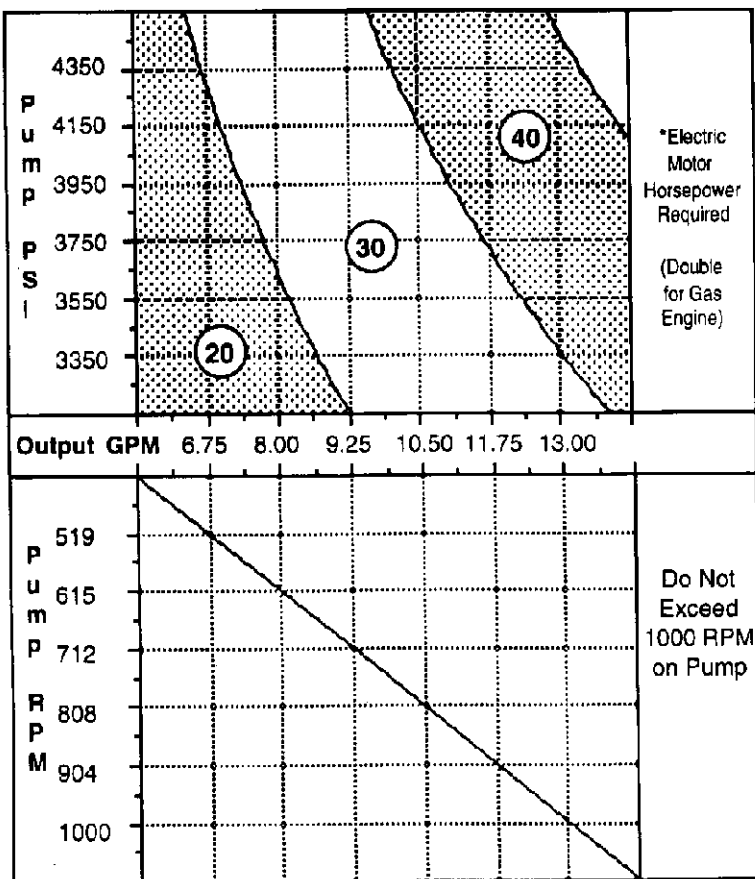


MAXIMUM PERFORMANCE: 13.0 GPM @ 4350 PSI @ 1000 RPM

APPLICATION DATA



Example: (You require 11.75 GPM @ 4150 PSI.) 11.75 GPM and 4150 PSI lines cross within 40 HP motor band (required motor HP). Follow 11.75 GPM vertical line down to diagonal line in lower chart, then left to 904 RPM (required pump RPM).

LUBRICATION Fill crankcase to dot on oil gauge window per specifications with General Pump SAE 30W nondetergent oil. Change oil after 40-hour break-in period. Change oil every three months or at 500 hour intervals thereafter.

SPECIFICATIONS

Max. Volume	13.0 GPM
Max. Discharge Pressure	4350 PSI
Max. Inlet Pressure	125 PSI
Max. Inlet Vacuum Ft. Water (in. Hg)	9 (7.9)
Max. Pump Speed	1000 RPM
Bore	.787 in. (20 mm)
Stroke	1.10 in. (28 mm)
Crankcase Capacity Usr General Pump Oil or (nondetergent)SAE 30W	71 oz.
Max. Fluid Temperature	165°F
Inlet Port Thread	1-11 BSPP - F
Discharge Port Thread	1/2-14 BSPP - F
Shaft Diameter	1.378 in. (35 mm)
Weight	181 lb.
Dimensions	23.7 x 14.0 x 9.9 in.

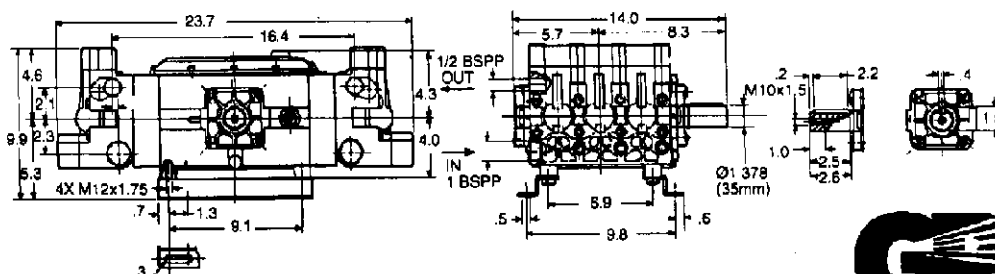
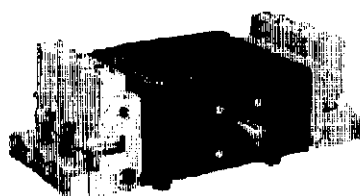
WARRANTY

This GENERAL PUMP product is warranted by the manufacturer to the original purchaser to be free from defects in material and workmanship under normal use and service. "Normal use and service" means not in excess of the recommended maximum speeds, pressures, and temperatures or handling fluids not compatible with component materials. This warranty shall not apply to any pump which has been repaired or altered to affect the performance or reliability of the pump.

Warranty does not apply to a) freight damage, b) freezing damage, c) damage caused by parts and/or accessories not obtained from or approved by GENERAL PUMP, d) damage caused by misuse and/or misapplication, e) normal wear of moving parts or components affected by moving parts.

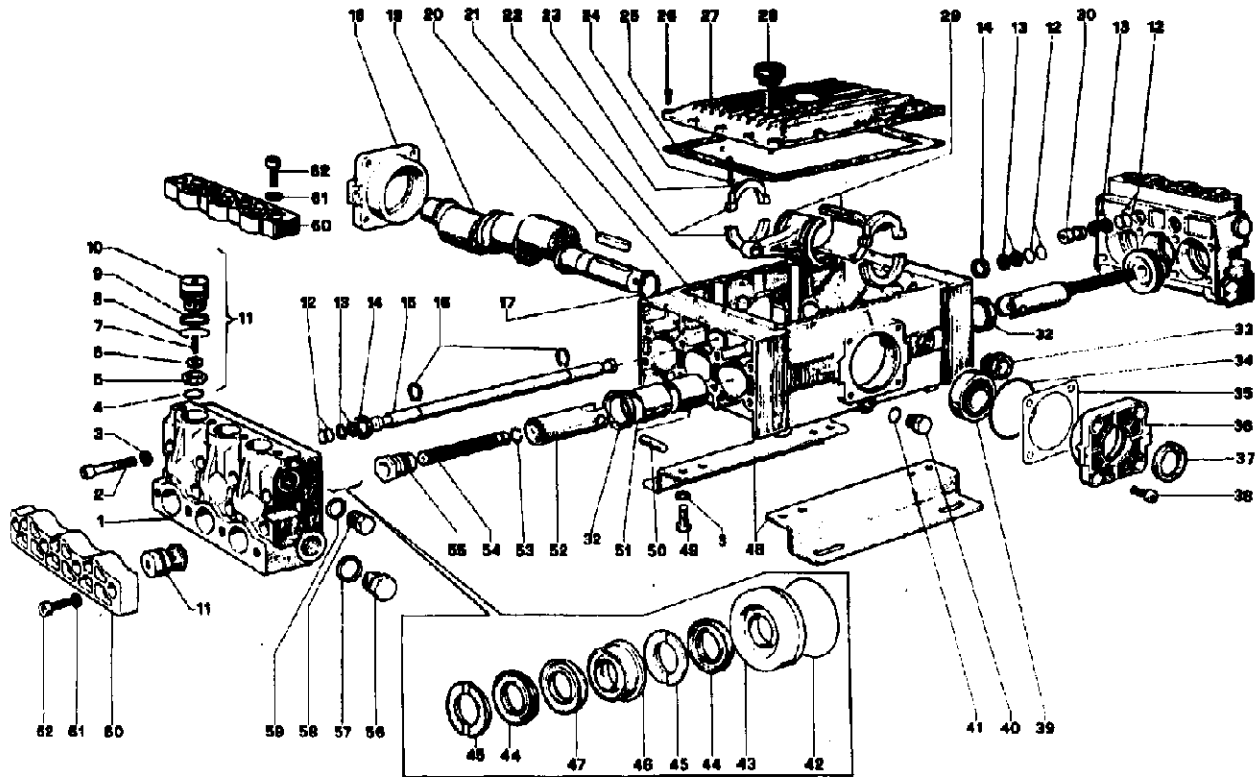
Period of warranty shall be two years from date product is shipped from manufacturer's factory. Liability of manufacturer under the foregoing warranty is limited to **repair or replacement** at the option of manufacturer of that product, which according to the manufacturer's investigation was deemed defective at time of shipment. This warranty is in lieu of all other warranties, expressed or implied, including any warranty of merchantability and/or any and all other obligations or liabilities on the part of the manufacturers.

DIMENSIONAL DRAWING



T3061 SIX CYLINDER PLUNGER PUMP

GENERAL PUMP INCORPORATED



PARTS LIST

ITEM	PART NO.	KIT NO.	DESCRIPTION	QTY.	ITEM	PART NO.	KIT NO.	DESCRIPTION	QTY.	ITEM	PART NO.	KIT NO.	DESCRIPTION	QTY.
1.	62.1201.41		Manifold	2	21.	77.0100.22		Crankcase	1	42.	90.3903.00	76, 78	O-Ring	6
2.	99.4418.00		Screw	16	22.	77.2120.01		Holding Ring	6	43.	61.0800.70	76, 78	Packing Retainer	6
3.	96.7195.00		Washer	20	23.	99.1927.00		Screw	12	44.	90.2705.00	77, 78	Packing	12
4.	90.3865.00		O-Ring	12	24.	96.6938.00		Washer	12	45.	47.1000.51	7, 78	Head Ring	12
5.	36.2014.66		Valve Seat	12	25.	77.2118.84		Gasket	1	46.	61.2160.70	75, 78	Intermed. Ring	6
6.	36.2013.66		Valve	12	26.	99.1867.00		Screw	16	47.	90.2709.00	77, 78	Ring	6
7.	94.7394.00		Spring	12	27.	77.2114.22		Cover	1	48.	76.2000.74		Foot	2
8.	90.4053.00		O-Ring	12	28.	98.2272.00		Oil Dip Stick	1	49.	99.4266.00		Screw	4
9.	90.5176.00		Anti-Ext. Ring	12	29.	77.0302.41		Connect. Rod	3	50.	97.7400.00		Piston Pin	6
10.	36.2019.70		Valve Guide	12	30.	62.2130.70		Cap	2	51.	90.9172.00		Bushing	12
11.	36.7108.01		Valve Unit	12	32.	90.1870.00	44	O-Ring	6	52.	61.0500.66		Piston Guide	6
12.	90.3895.00		O-Ring	8	33.	97.5968.00		Oil Indicator	1	53.	90.0115.00		Cir-Clip	6
13.	90.5090.00		Anti-Ext. Ring	8	34.	90.4141.00		O-Ring	2	54.	61.0400.56		Piston (20 mm)	6
14.	90.1614.00		Ring	4	35.	76.2200.78		Shim	2	55.	61.2195.66		Piston Screw	6
15.	62.2123.92		Connect. Tube	1	36.	76.1500.22		Cover	1	56.	98.2325.00		Cap	2
16.	90.0605.00		Cir-Clip	2	37.	90.1872.00	32	Ring	1	57.	96.7870.00		Washer	2
17.	90.0695.00		Cir-Clip	1	38.	99.3652.00		Screw	8	58.	98.2178.00		Cap	3
18.	78.1501.22		Cover	1	39.	91.8474.00		Bearing	2	59.	96.7514.00		Washer	3
19.	76.0210.35		Crankshaft	1	40.	98.2100.00		Cap	1	60.	61.2180.34		Cover	4
20.	91.4978.00		Key	1	41.	80.3833.00		O-Ring	1	61.	96.7300.00		Washer	16
										62.	99.4860.00		Screw	16

REPAIR KITS

KIT NO.	7	32	44	75	76	77	78
ITEM NO'S INCLUDED IN KIT	45	37	32	46	42, 43	44, 47	42, 43, 44 45, 46, 47
NUMBER OF ASSEMBLIES IN KIT	6	2	3	3	3	6 + 3	1/2
NUMBER OF CYLINDERS KIT WILL SERVICE	3	-	3	3	3	3	1

TORQUE SPECS

Position	Ft./lbs.
2	51.5
23	8.8
26	7.3
33	13.2
38	29.4
40	29.4
49	51.5
55	81.0
58	36.8
62	95.8

GENERAL PUMP INCORPORATED

1174 NORTHLAND DRIVE • MENDOTA HEIGHTS, MN 55120 • PHONE: (612) 454-6500 • FAX: (612) 454-4524

300221 3-93

