

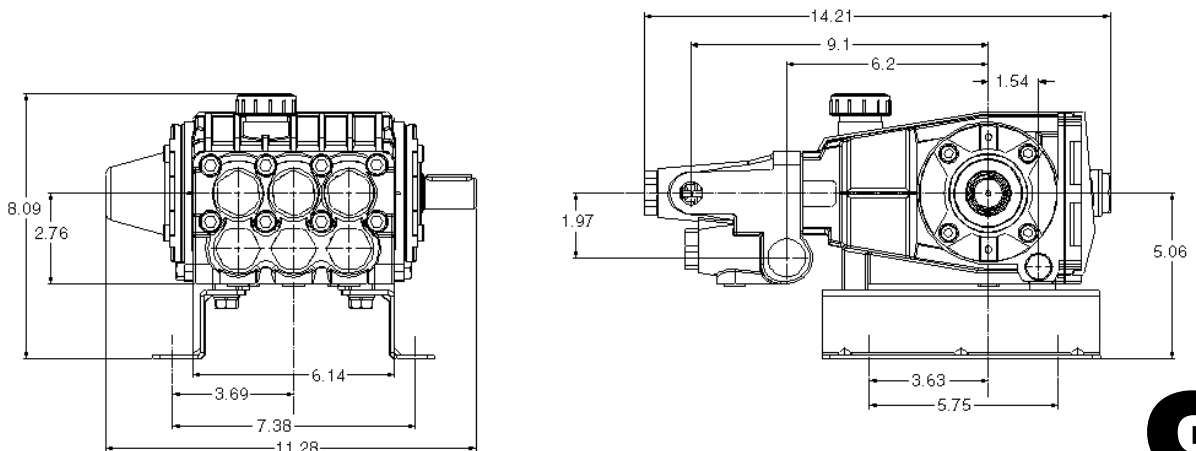
FEATURES

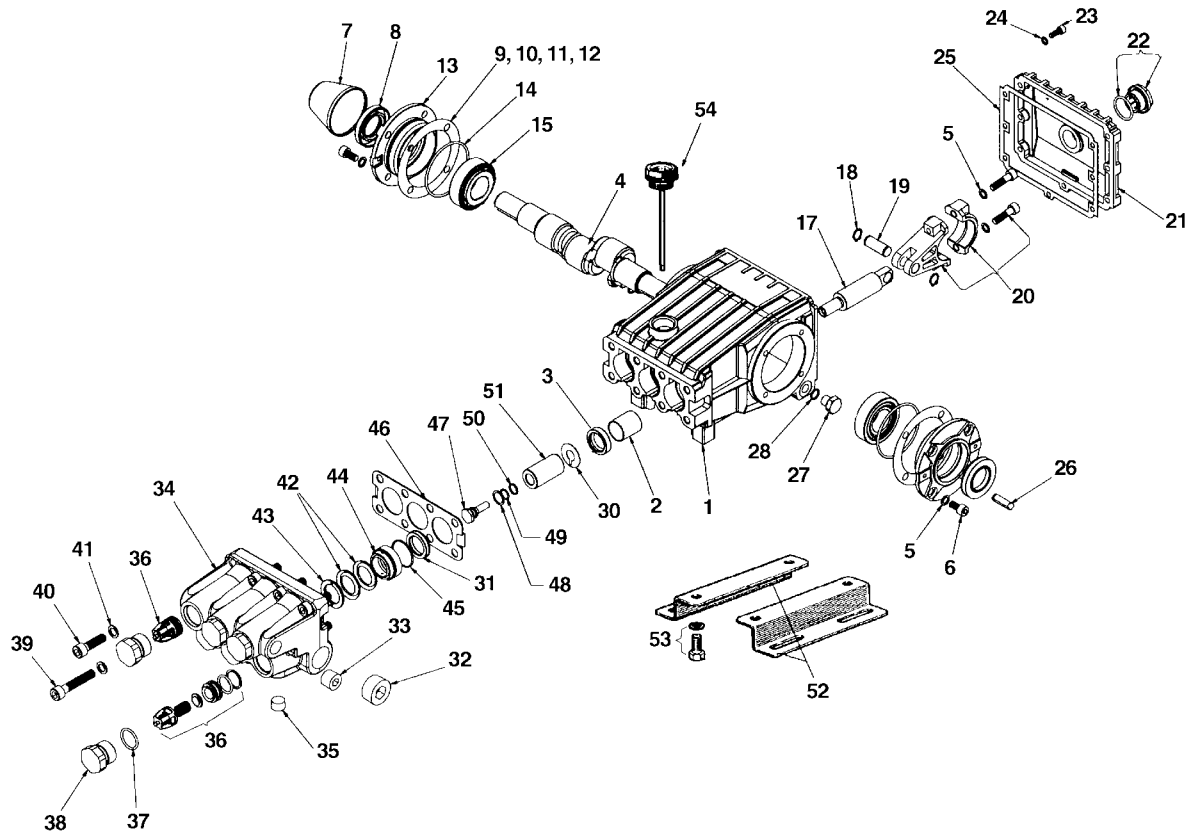
- Largest dual inlet port in the industry for optimal performance
- Forged brass manifold
- Nickel-plated manifold for ultimate corrosion resistance
- Parallel inlet and outlet valve design for easy maintenance and improved efficiency
- Innovative, high- and low-pressure seal design for long life
- Dual shaft for flexible mounting
- Painted, hammer-tone crankcase for superior protection
- Proven double roller bearing design for ultimate crankshaft support
- New valve design for improved hydrodynamic performance
- Compact, economic design for multiple applications

SPECIFICATIONS

Part Number	100015		
Max. Volume	12.0 GPM	10.0 GPM	8.0 GPM
Max. Disch. Press.	2000 PSI	2500 PSI	3000 PSI
Max. Pump Speed	1750 RPM	1450 RPM	1150 RPM
Min. Inlet Press.	0 PSI	0 PSI	- 5 PSI
Maximum Inlet Pressure	125 PSI		
Bore	1.0" (25.4 mm)		
Stroke	0.748" (19 mm)		
Crankcase Capacity	34 oz.		
Use General Pump Series 220 Oil	PN 100016		
Maximum Fluid Temperature	165°		
Inlet Port Thread	1" NPT		
Discharge Port Thread	1/2" NPT		
Shaft Diameter (Dual)	24 mm		
Weight	40 lbs.		
Dimensions	14.2" x 11.3" x 8.1"		

DIMENSIONAL DRAWING





PARTS LIST

ItemPart No.	Description	Kit No.	Qty.	ItemPart No.	Description	Kit No.	Qty.	ItemPart No.	Description	Kit No.	Qty.
1. 450022	Crankcase		1	21. 450028	Rear Crankcase Cover		1	40. 200021	Screw		4
2. 640046	Linear Bearing		3	22. 97596800	Oil Level Indicator & O-Ring		1	41. 203407	Ribbed Spring Washer		8
3. 710006	Oil Seal	D	3	23. 200019	Screw		7	42. 710016	V-Packing	E	6
4. 454008	Crankshaft		1	24. 203512	Ribbed Spring Washer		7	43. 510225	Head Ring	E	3
5. 203511	Ribbed Spring Washer		14	25. 640044	Gasket, Rear Crankcase Cover		1	44. 510224	Seal Case, Female Adapter	E	3
6. 200018	Screw		8	26. 640048	Key		1	45. 701041	O-Ring	E	3
7. 47212351	Shaft Protector, Red		1	27. 510195	Drain Plug		2	46. 540027	Seal Retainer Plate		1
8. 90164800	Oil Seal	D	2	28. 701013	O-Ring		2	47. 47219566	Plunger Retainer Screw	C	3
9. 540041	Shim, Brass, 0.1 mm	A/R		29. 103043	Crankcase Assembly (1-28)	A	1	48. 340034	Washer	C	3
10. 540042	Shim, Brass, 0.2 mm	A/R		30. 540033	Slinger	C	3	49. 701013	O-Ring	C	3
11. 540044	Shim, Brass, 0.4 mm	A/R		31. 710015	Seal	E	3	50. 660067	Anti-Extrusion Ring	C	3
12. 540045	Shim, Brass, 0.5 mm	A/R		32. 680055	Plug		1	51. 640043	Plunger		3
13. 450021	Bearing Case		2	33. 680054	Plug		1	52. 540028	Mounting Rail		2
14. 701147	O-Ring		2	34. 452007	Manifold, Brass		1	53. 100466	Bolt & Washer Kit		1
15. 640047	Tapered Roller Bearing		2	35. 520063	Plug		3	54. 640049	Dipstick/Breather Cap		1
17. 520103	Plunger Rod		3	36. 103044	Valve Assembly	B	6				
18. 202029	Retaining Ring		6	37. 701040	O-Ring	B	6				
19. 530008	Wrist Pin		3	38. 520144	Valve Plug, SS		6				
20. 103034	Connecting Rod Assembly		3	39. 200020	Screw		4				

Optional Inlet Fitting

510227	1" NPT-M to 1-1/2" Hose Barb Fitting
--------	--------------------------------------

REPAIR KITS

KIT NO.	(A) 103043	(B) 100018	(C) 100019	(D) 100021	(E) 100020
ITEM NO'S INCLUDED IN KIT	29 (Items 1-28)	36, 37	30, 47, 48, 49, 50	3, 8	31, 42, 43, 44, 45
NUMBER OF ASSEMBLIES IN KIT	1	6	3	3	3
NUMBER OF CYLINDERS KIT WILL SERVICE	NA	3	3	3	3

TORQUE SPECS*

Position	Ft.-lbs.
6	15
20	16
23	8
27	15
41	74
39	30
40	30
47	15

*Decrease torque by 20% if threads are lubricated.

