



KT24A/28A/30A/32A/36A/40A

Repair Manual



KT24A, KT28A, KT30A, KT32A, KT36A, KT40A



General Pump is a
member of the
Interpump Group



Pratissoli

Ref 300943 Rev.A
03-14

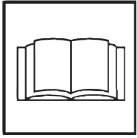
INDEX

1.	INTRODUCTION	Page 3
2.	REPAIR INSTRUCTIONS	Page 3
	2.1 Repairing Mechanical Parts	Page 3
	2.1.1 Disassembly of Mechanical Parts	Page 4
	2.1.2 Reassembly of Mechanical Parts	Page 6
	2.1.3 Increase and Reduction Classes	Page 8
	2.1.4 Disassembly / Reassembly of Bearings and Shims	Page 8
	2.2 Repairing Hydraulic Parts	Page 11
	2.2.1 Dismantling the Head-Valve Units	Page 11
	2.2.2 Reassembling the Head-Valve Units	Page 14
	2.2.3 Dismantling the Head-Seals	Page 15
	2.2.4 Dismantling the Piston Unit	Page 17
	2.2.4 Assembling the Head - Seals - Piston Unit	Page 18
3.	SCREW CALIBRATION	Page 19
4.	REPLACING THE CON-ROD FOOT BUSHINGS	Page 20
5.	REPAIR TOOLS	Page 21
6.	MAINTENANCE LOG	Page 22

1. INTRODUCTION

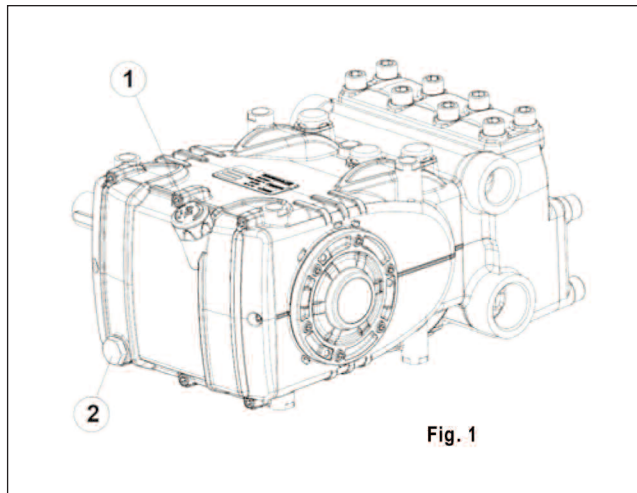
This manual describes the instructions for repairing KT Series pumps, and must be carefully read and understood before performing any repair intervention on the pump. Proper pump operation and longevity depend on the correct use and maintenance. General Pump declines any responsibility for damage caused by the misuse or the non-observance of the instructions described in this manual.

2. REPAIR INSTRUCTIONS



2.1 Repairing Mechanical Parts

Mechanical parts repair must be performed after removal of oil from the casing. To drain the oil, remove the oil dipstick, (1, fig. 1) and then the draining plug (2, fig. 1).



The oil must be placed in a suitable container and disposed of in special centers. It absolutely must not be discarded into the environment.

2.1.1 Disassembly of Mechanical Parts

The operations described must be performed after removing the hydraulic part, ceramic pistons and splash guards from the pump (paragraphs 2.2.3, 2.2.4).

Remove in the following order:

- The pump shaft tab
- The rear cover
- The connecting rod cap as follows:
unscrew the cap fixing screws, remove the con-rod caps with their lower half-bearings (fig. 2) paying attention to the numbered sequence during disassembly.

To avoid possible errors, caps and con-ro shanks have been numbered on one side (1, fig. 2/a).

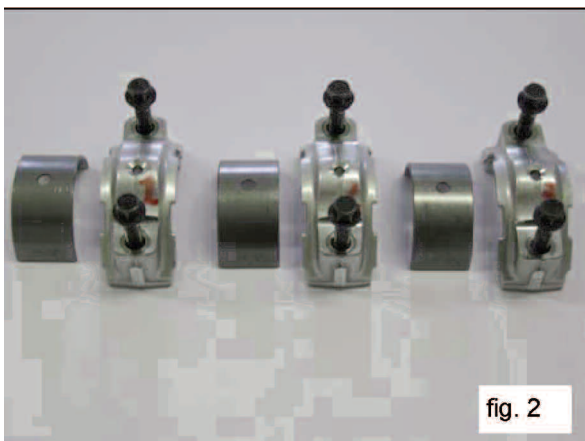


fig. 2

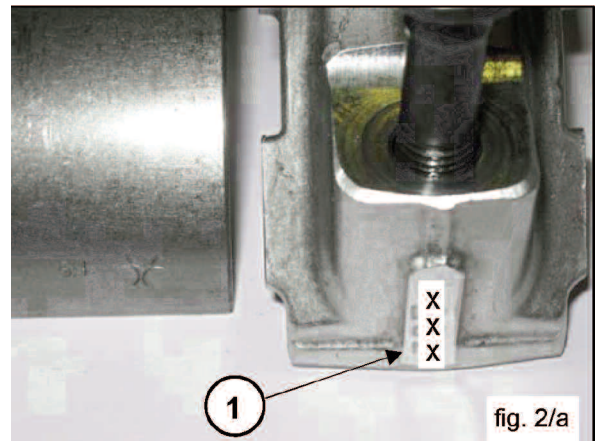


fig. 2/a

- The side covers using - for extraction 3 fully threaded M6 x 50 screws, inserting them in the threaded holes as indicated in fig. 3



fig. 3

- Push the piston guides forward with their con-rods to facilitate side extraction of the pump as indicated in fig. 4.



fig. 4

- Remove the pump shaft
- Complete the disassembly of the con-rod units by removing them from the pump casing and removing the piston guide pins
- Remove the pump shaft seal rings using common tools
- Remove the piston guide seal rings as described below:

Use the extractor, p/n F26019400 (1, fig. 5) and the gripper, p/n F27503800 (2, fig. 5). Insert the gripper as far as possible onto the seal ring with the aid of a hammer (fig. 5/a), subsequently screwing the extractor to the gripper, and use the extractor hammer (fig. 5/b) until the ring to be replaced is removed (fig. 5/c).

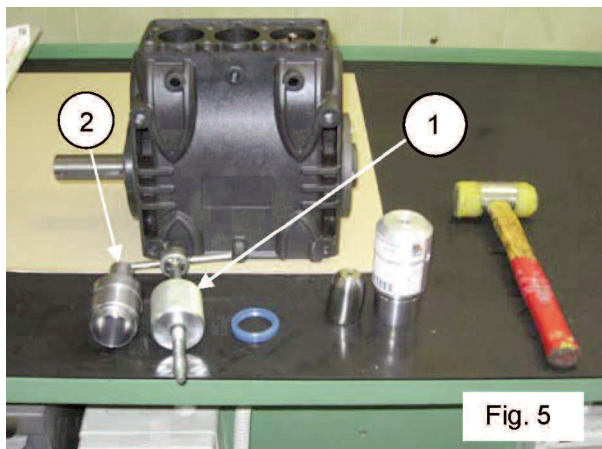


Fig. 5



Fig. 5/a



Fig. 5/b



Fig. 5/c

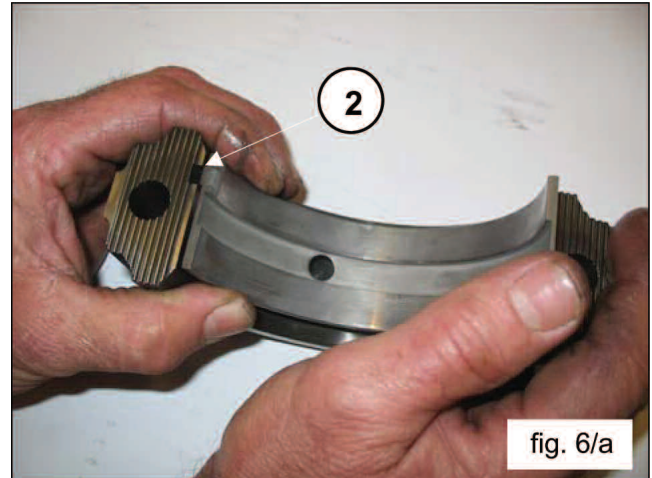
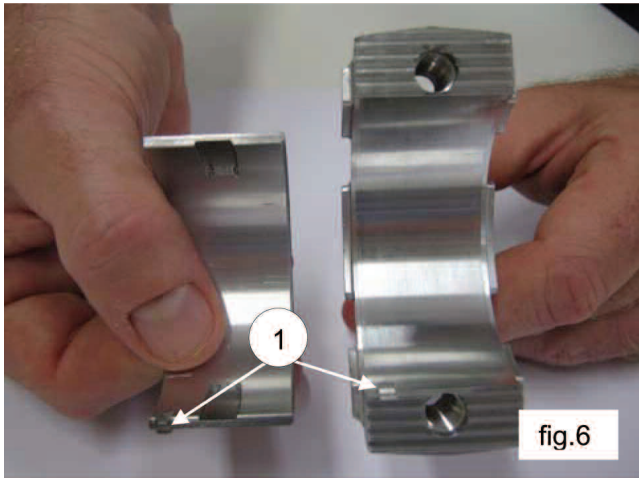
2.1.2 Reassembly of mechanical parts

After having checked that the casing is clean, proceed with assembly of the mechanical part as described below:

- Assemble the upper and lower half-bearings in their seats in the con-rods and caps.



Make sure that the reference marks on the upper half-bearing (1, fig. 6) and lower half-bearings (2, fig. 6/a) are positioned in their respective seats in the con-rod and cap.



- Insert the piston/con-rod guide units into the pump casing, directing the numbering on the con-rod shank towards the top of the casing.

To facilitate pump shaft insertion (without the tab), it is essential to repeat the operation performed during disassembly, pushing the piston/con-rod guide units as far down as possible (paragraph 2.1.1).

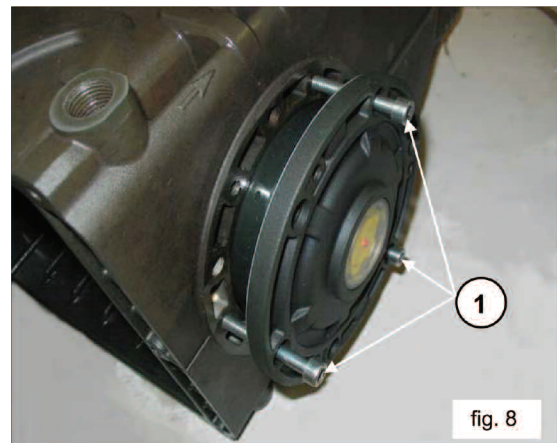
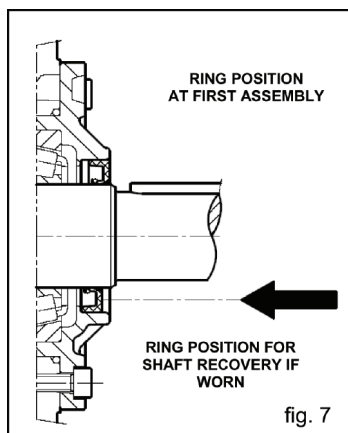
- Before assembling the side cover on the PTO side, check the conditions of the radial ring lip seal and relative contact area on the shaft.

If replacement is necessary, position the new ring using tool p/n F27904500 as indicated in fig. 7



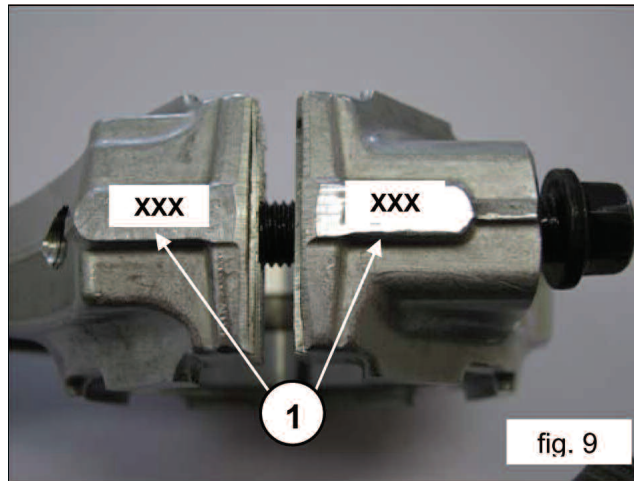
If the pump shaft shows diametrical wear in the area of contact with the lip seal, in order to prevent the grinding operation, it is possible to reposition the ring in abutment with the cover as shown in fig. 7.

Before assembling the side covers, make sure there are O-rings on both of them and shim rings on the indicator side cover only. To facilitate filling of the first section and relative insertion of the covers on the casing, we recommend using three partially threaded M6x40 screws (1, fig. 8), then completing the operation with the screws supplied (M6x16).





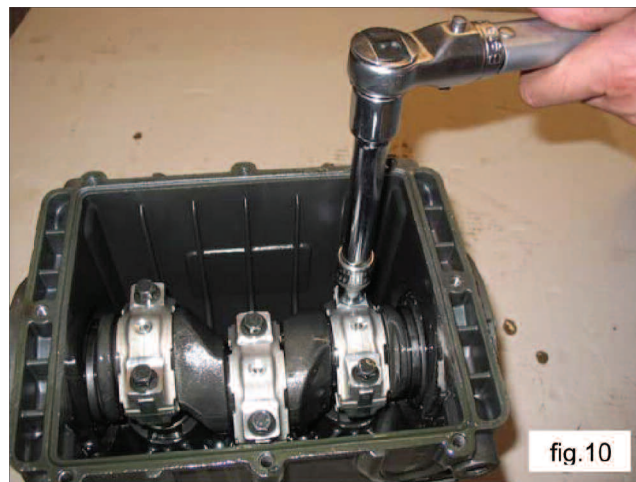
- Couple the con-rod caps to their shanks, referring to the numbering (1, fig. 9).
Note the correct assembly direction of the caps.



Fasten the caps to their respective con-rod shanks by means of M8x1x42 screws (fig. 10) lubricating both the underhead and the threaded shank, proceeding in two stages:

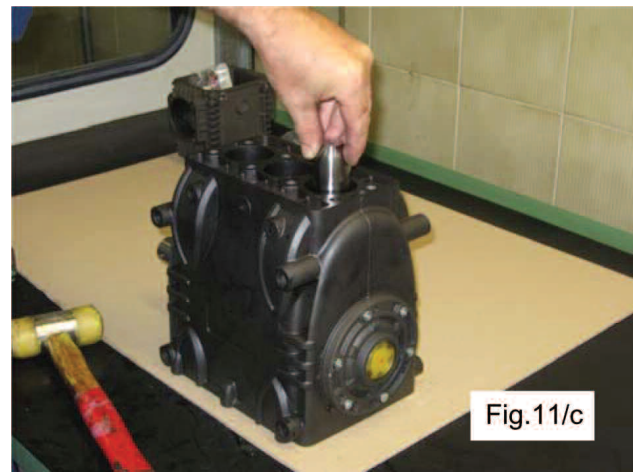
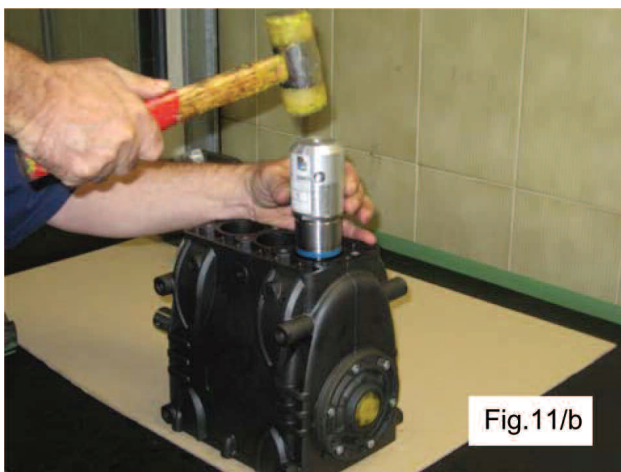
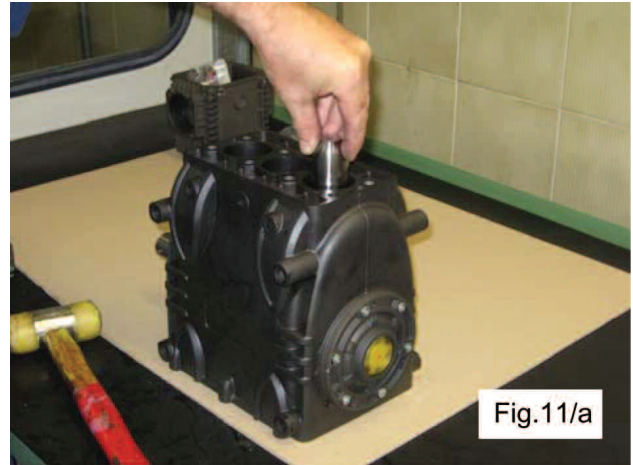
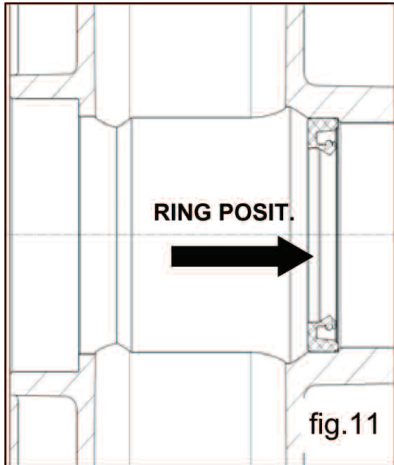


1. **Manually turn the screws until they begin to tighten**
 2. **Tightening torque: 22 Ft. Lbs. (30 Nm)**
- Alternatively, ensure:
1. **Pre-tightening torque: 7-11 Ft. Lbs. (10-15 Nm)**
 2. **Tightening torque: 22 Ft. Lbs. (30 Nm)**



- After having completed tightening operations, check that the con-rod head has a side clearance in both directions.
- Assemble the new piston guide seal ring with the relative seats on the pump casing (fig. 11) following the procedure described:

Using tool p/n F27904200 composed of a tapered bushing and a buffer, screw the tapered bushing into the hole in the piston guide (fig. 11a), insert the new seal ring on the buffer as far as it will go (determined by the height of the buffer) into its seat on the pump casing (fig. 11b), remove the tapered bushing (fig. 11/c).



- Mount the rear cover complete with the O-ring, positioning the dipstick hole upward.
- Insert Oil in the casing as indicated in the use and maintenance manual.

2.1.3 Reduction Classes

TABLE OF REDUCTIONS FOR CRANKSHAFTS AND CON-ROD HALF-BEARINGS			
Recovery Classes (mm)	Part Number Half-bearing Upper	Part Number Half-bearing Lower	Correction on the Shaft Pin Diameter (mm)
0.25	F90922100	F90922400	Ø39.75 0/-0.02 Ra 0.4 Rt 3.5
0.50	F90922200	F90922500	Ø39.50 0/-0.02 Ra 0.4 Rt 3.5

2.1.4 Disassembly/Reassembly of Bearing and Shims

The type of bearings (taper roller) ensures the absence of axial clearance on the crankshaft. The shims are defined to meet this necessity. For disassembly-reassembly and for any replacements, carefully observe the following directions:

A) Disassembly/Reassembly of the crankshaft without bearings replacement

After having removed the side covers as indicated in point 2.1.1, check the conditions of the rollers and their relative tracks. If all parts are in good condition, clean the components carefully with a degreaser and redistribute lubricant oil uniformly. The previous shims can be reused, taking care to insert them only under the indicator side cover.

Once the complete unit is mounted (indicator side flange and shaft and motor side flange), check that the rotation torque of the shaft - with the con-rod disconnected - is a minimum 3 Ft.Lbs. (4 Nm), max. 4.5 Ft.Lbs (6 Nm).

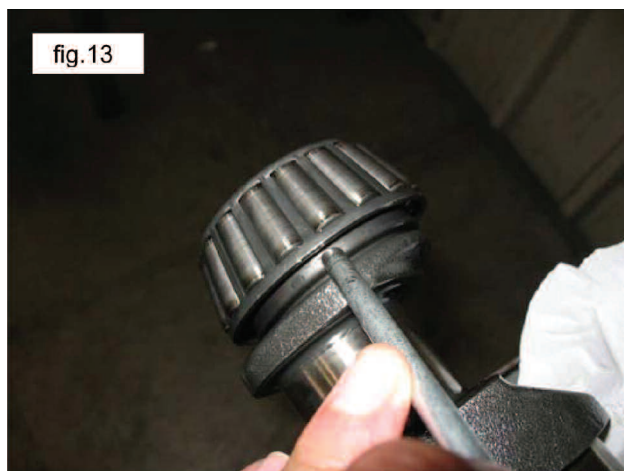
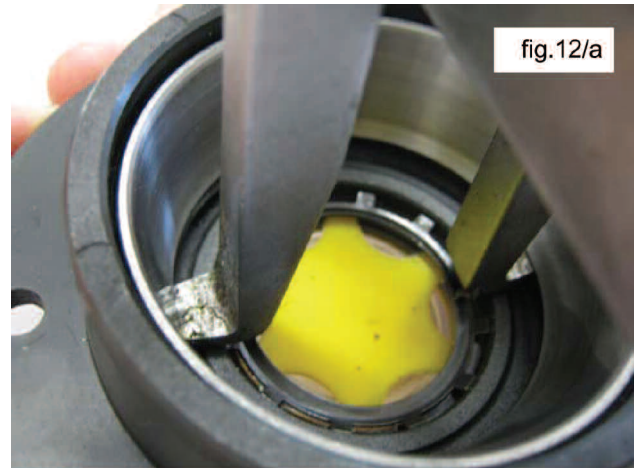
To bring the two side covers closer to the casing, it is possible to use 3 M6x40 screws for the first positioning phase as indicated in fig. 8 and the screws provide for final fastening.

Shaft rotation torque (with the con-rod connected) should not exceed 6 Ft.Lb. (8 Nm).

A) Disassembly/Reassembly of the crankshaft with bearings replacement

After removing the side covers, as described above, remove the outer ring nut on the bearings from its seat on the covers, using an appropriate extractor as shown in fig. 12 and 12a.

Remove the inner ring on the bearings from the two ends of the shaft, again using an appropriate extractor or, alternatively, a simple "pin punch" as shown in fig. 13.



The new bearings can be mounted cold with a press or rocker, supporting it on the lateral surface of the ring nuts involved in press fitting with the rings. The press fitting operation can be facilitated by heating the involved parts to a temperature between 250°-300° F (120°-300° C), ensuring that the ring nuts go down to end stroke in their housings.



Never exchange the parts of the two bearings.

Determining the shim pack:

Perform the operation while the piston/con-rod guide units are assembled, the con-rod caps are disconnected and the con-rods are pushed downwards. Insert the crankshaft in the casing, checking that the PTO shank comes out from the provided side. Secure the PTO side flange to the casing, taking care with the lip seal as described previously and tighten the fixing screws to the recommended torque. Then feed the flange on the indicator side without shims in the case and start to move it closer, manually screwing the M6x40 service screws in equally, with small rotations such as to move the cover in slowly and correctly.

At the same time, check that the shaft rotates freely by turning it manually. Continuing the procedure in this way, a sudden increase in difficulty during shaft rotation will soon be experienced.

At this point, halt the forward movement of the cover and loosen the fixing screws completely.

With the aid of a thickness gauge, measure the clearance between the side cover and pump casing (fig. 4).



fig. 14

Proceed to determine the shim pack, using the table below:

Detected Measurement	Shim Type	# Pieces
From: 0.05 to: 0.10	/	/
From: 0.11 to: 0.20	0.1	1
From: 0.21 to: 0.30	0.1	.2
From: 0.31 to: 0.35	0.25	1
From: 0.36 to: 0.45	0.35	1
From: 0.46 to: 0.55	0.35 0.10	1 1
From: 0.56 to: 0.60	0.25	2
From: 0.61 to: 0.70	0.35 0.25	1 1

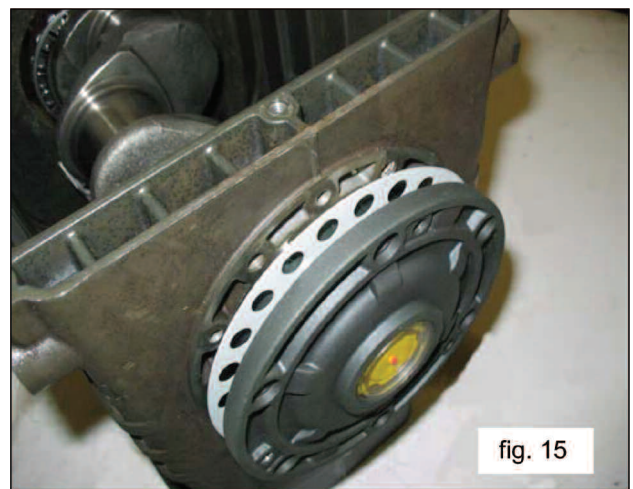


fig. 15

Once the type and number of shims have been determined using the table, check the following: assemble the shim pack on the indicator side cover centring (fig. 15), secure the cover to the casing, following the procedure in paragraph 2.1.2 and tighten the screws to their recommended torque. Check that the shaft rotation stall torque is between 3-4.5 Ft. Lbs.(4-6 Nm). If this torque is correct, connect the con-rods to the crankshaft and to the next stages. If it is not, redefine the shim pack, repeat the operations.

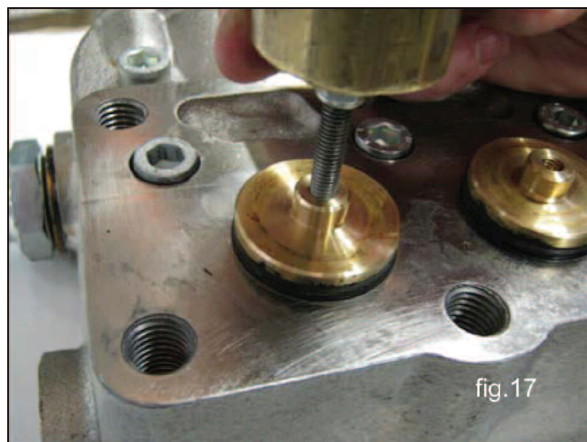
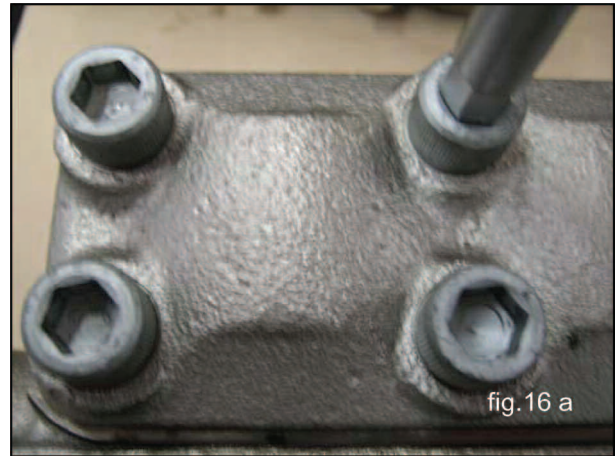
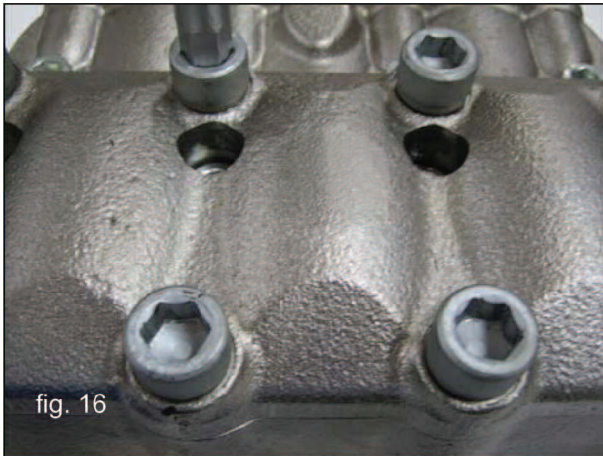
2.2 REPAIRING HYDRAULIC PARTS

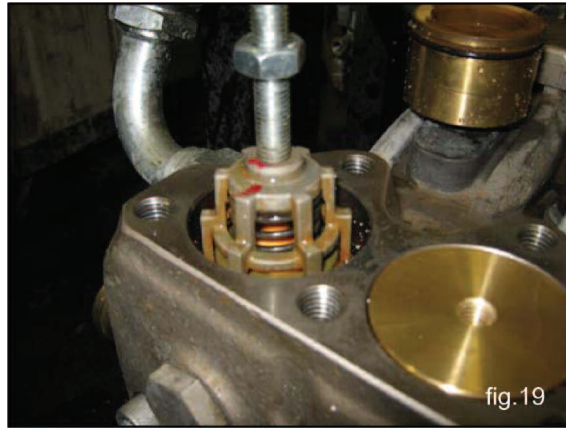
2.2.1 Dismantling the Head - Valve Units

Operations are limited to inspection or replacement of valves, if necessary and, however, at the intervals indicated in the "Preventative Maintenance" table in chapter 11 of the use and maintenance manual. The valve units are assembled vertically inside the head.

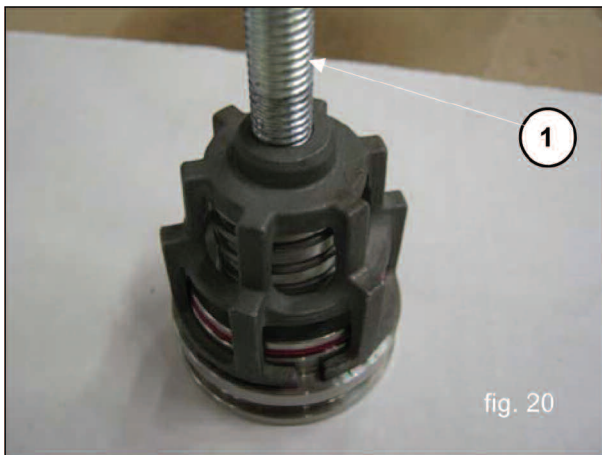
Operate as follows to extract them:

- Unscrew the 8 M14x40 suction valve cover fastening screws and the 8 m12x35 outlet valve cover fastening screws (fig. 16 and 16a) using the extractor hammer p/n F26019400 combined with tool F27726200 extract
- The KT24A, 28A, 30A, 32A suction and outlet valve units and KT36A or 40A inlet valve units using a simple tool as indicated in fig. 18
- Extract the KT36 or KT40 pump suction valve units using an extractor hammer part #F26019400 combined with tool #F27513600 (fig. 19).





Dismantling of the suction and outlet valve units can be carried out screwing in a sufficiently long M10 screw which can move the valve plate and remove the valve guide from the seat (1, fig. 20). If the threaded holes should not be present on the valve guides, dismantling can be easily carried out by levering with simple tools (fig 21).





If the suction valve seats remain stuck on the head (for example scaling due to prolonged pump activity), operate as follows:

Suction and outlet valves:

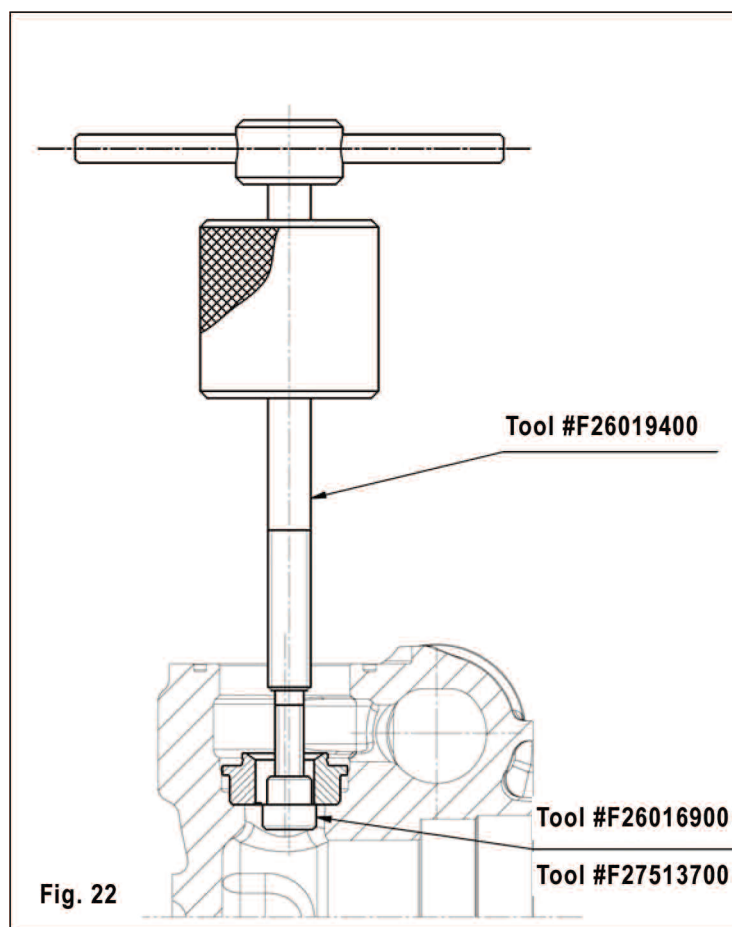
For KT24A, 28A, 30A, 32A use tools #F26019400, and F27513700 (fig. 22)

Suction valves:

For KT36A and 40A use tools #F26019400, F27516900 (fig. 22)

Outlet valves

For KT36A and 40A use tools #F26019400 and F27513700 (fig 22)

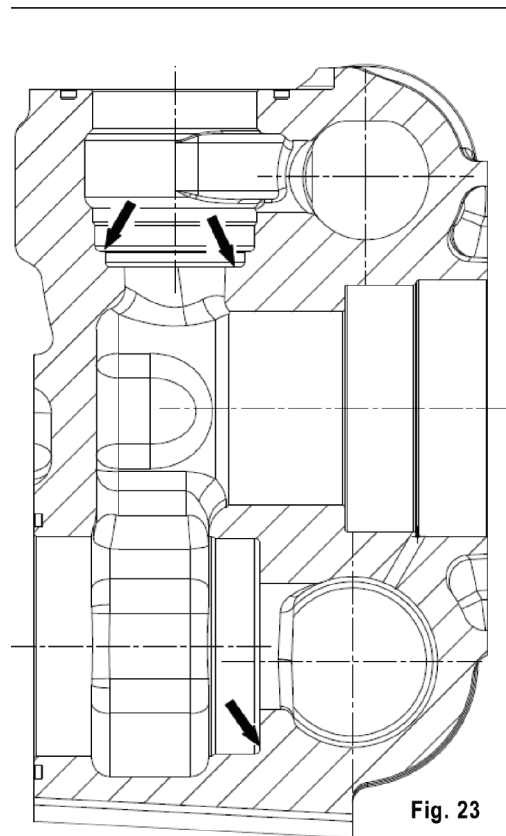


2.2.2 Reassembling the Head - Valve Units

Pay particular attention to the conditions of the various components and replace if necessary, and at the intervals indicated in the "Preventative Maintenance" table in chapter 11 of the use and maintenance manual. At every valve inspection, replace all O-rings and all anti-extrusion rings both in the valve groups and on the valve plugs.



Before repositioning the valve unit, thoroughly clean and dry the relative seats in the head as indicated in fig. 25.

**Fig. 23**

To reassemble the various components, follow the reverse operations listed above as described in point 2.2.1. Reassemble the valve unit (fig. 24) to facilitate insertion of the valve guide in the seat, use a hammer, acting on the whole circumference (fig. 25).

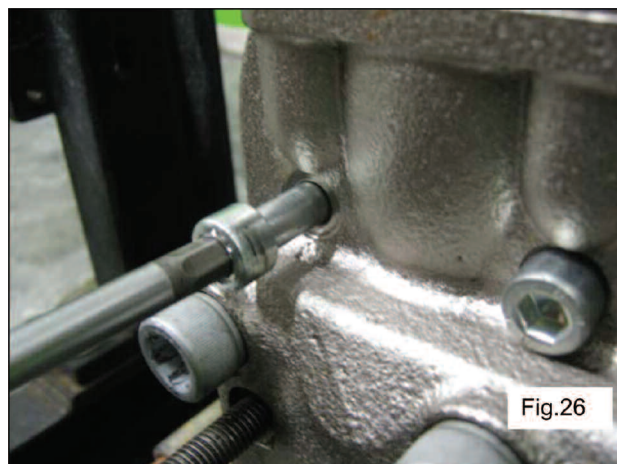


Insert the suction and outlet valve units, checking that they are down to end stroke in the head housing. Then apply the valve covers and calibrate the respective M14x40 screws (suction valve covers) and M12x35 (outlet valve cover) screws. For the values of the torques and tightening sequences follow the instructions in chapter 3.

2.2.3 Dismantling the Head - Seals

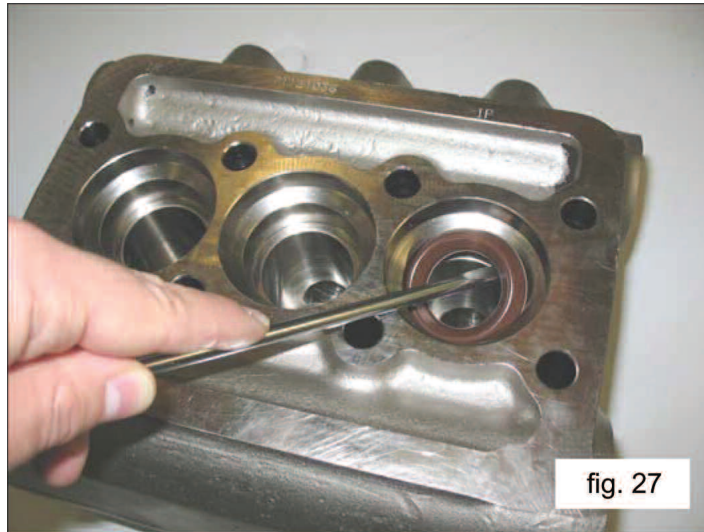
Replacement of the seals is necessary from the moment you begin to detect water leaks from the drainage holes provided on the back of the pump casing, and at the intervals indicated in the "Preventative Maintenance" table in chapter 11 of the use and maintenance manual.

A) Unscrew the M10x110 head fixing screw as indicated in fig. 26.



B) Separate the head from the pump casing.

C) Extract the high pressure seals from the head and the low pressure ones from the support, using simple tools as indicated in fig. 27, being careful not to damage the respective housings.



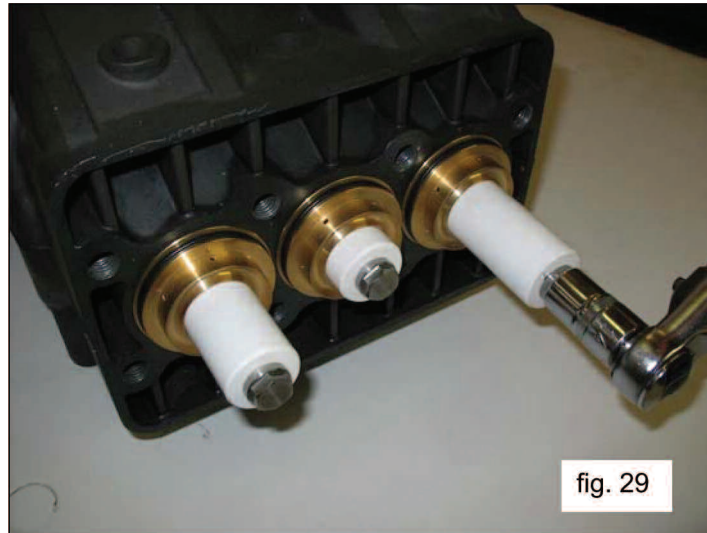
Pay attention to the order of seal pack disassembly as indicated in fig. 28 composed of:

1. Head ring
2. HP seal
3. Restop ring
4. Seals support
5. LP seal
6. Seal ring
7. O-ring



2.2.4 Dismantling the Piston Unit

The piston unit does not require any routine maintenance. Maintenance is limited to visual checks only. To extract piston units: loosen the M7x1 piston fixing screws as indicated in fig. 29.



Check and verify their conditions, replace if necessary

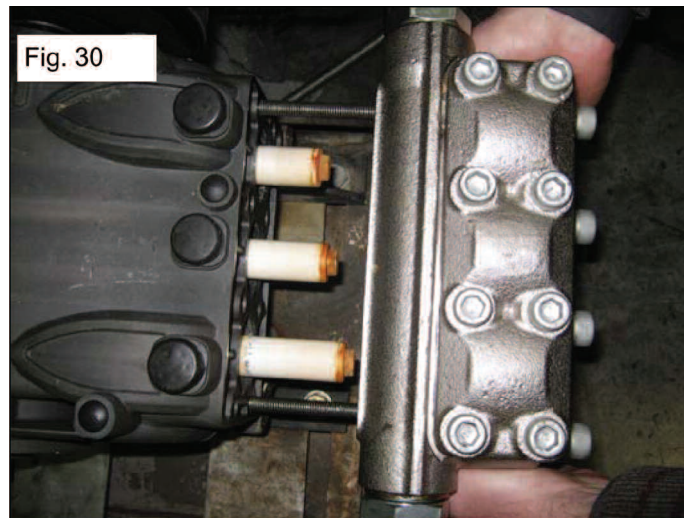


At every disassembly all o-rings on the piston unit must be replaced.

2.2.5 Reassembling the Head - Seals - Piston Unit

To reassemble the various components, follow the reverse operations listed above as described in pint 2.2.3, taking particular care:

- A) Seals pack Respect the same order used during disassembly operations.
- B) Lubricate components 2,3 and 5 with OCILIS silicone grease p/n F12001600; this operation is also deemed necessary to facilitate adjustment of the lip seal on the piston.
- C) For correct assembly of HP seals in their housing on the head without causing any damage to lip seals, use suitable tools according to the pump diameters as indicated in chapter 4.
- D) Replace the piston, tightening the screws with a torque wrench, respecting the tightening torque values ad indicate in chapter 3.
- E) Replace the head as follows:
 1. Position the seal support in the respective seats on the casing.
 2. Using two screws - p/n F27726000, fasten the casing as indicated in fig. 30. Position the complete head, making sure that it is centered only on the central piston.
 3. Complete the operations, following the tightening procedure. For the values of the torques and tightening sequences follow the instructions in chapter 3.



3. SCREW CALIBRATION

Screws are to be fastened exclusively using a torque wrench.

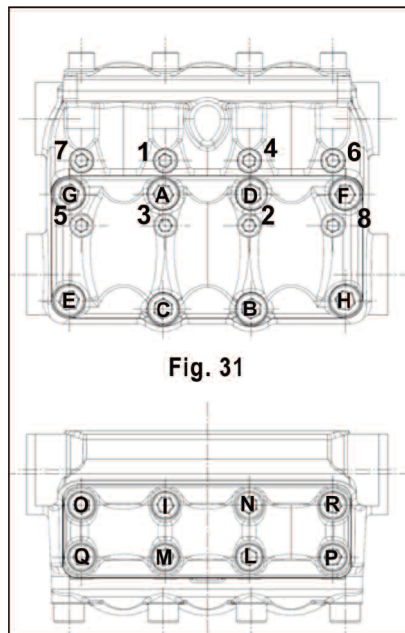
Description	Exploded View Position (From Owner's Manual)	Fastening Ft. Lbs.	Fastening Nm
Cover Fixing Screw	9	7.4	10
Oil Discharge Plug	11	30	40
Piston Fixing Screw	27	14.8	20
Con-rod Fixing Screw	18	22.1*	30*
Valve Cover Fixing Screw Outlet	58	132.8***	180***
Valve Cover Fixing Screw Suction	45	88.5***	120***
Head Fixing Screw	55	30**	40**
2nd PTO Flange Fixing Screw	96	107****	145****

* The con-rod cap fixing screws must be tightened at the same time respecting the phases indicated on page 7.

** The head fixing screws (exploded position 55) must be tightened with a torque wrench respecting the sequence shown in the diagram in fig. 31.

*** The valve cover fixing screws (exploded position 45) must be tightened with a torque wrench respecting the order shown in the diagram in fig. 31.

****To fix the 2nd PTO flange, use Loctite 243 blue, p/n F12006400.



4. REPLACING THE CON-ROD FOOT BUSHING

During maintenance, if it becomes necessary to replace the con-rod foot bushing, proceed as follows:



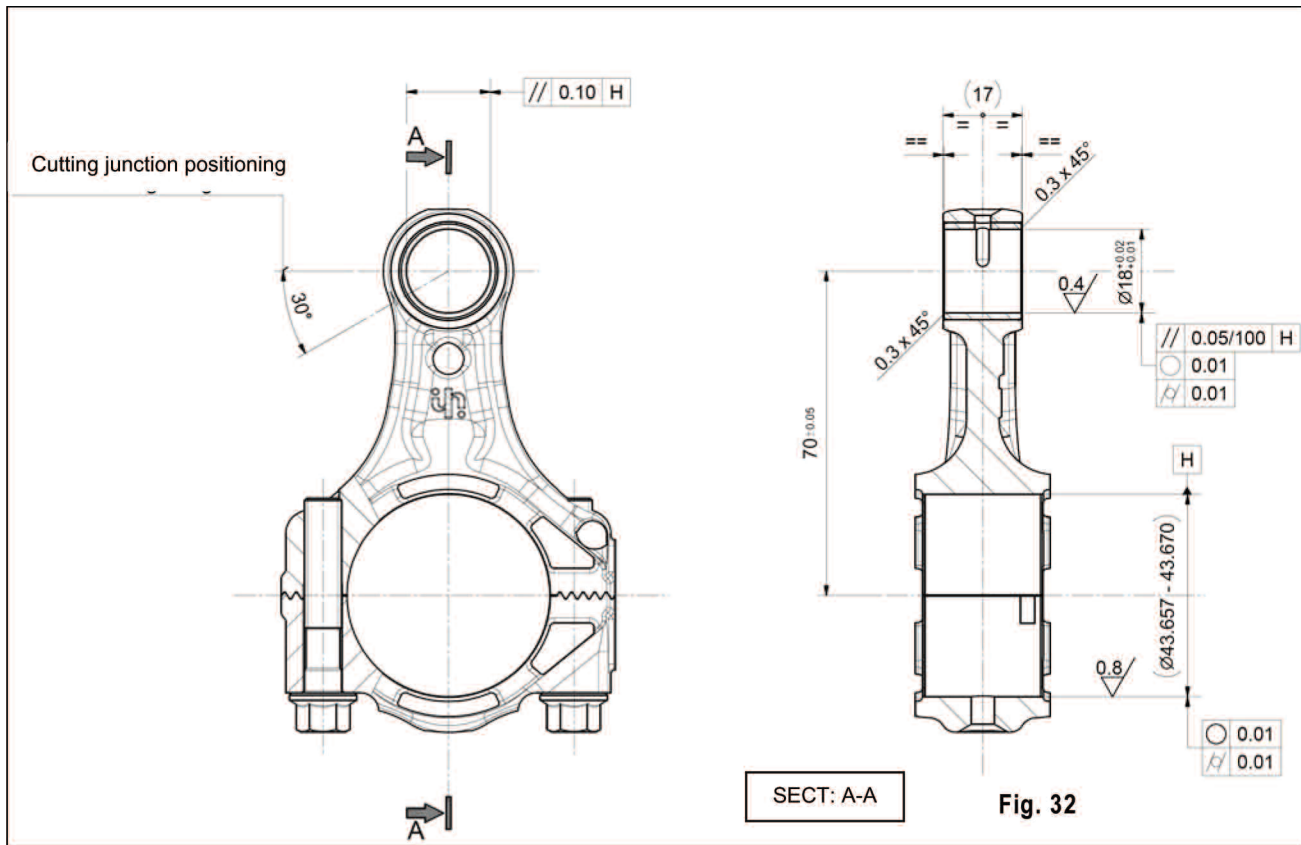
When removing the worn bushing, take great care not to damage or scratch the seat on the con-rod.

Perform cold press fitting of the new bushing. During the operation, ensure that:

- the lubrication hole coincides with the corresponding hole on the con rod;
- the cutting junction is directed as shown in fig. 32.



Then perform mechanical processing. The dimensions and tolerances shown in fig. 32 MUST be respected.



4. REPAIR TOOLS

Pump repairs can be facilitated by special tools. Part numbers are as follows:

For Assembling Part:	Tool Part Number
Seal bushing Ø 35; HP alternative seal ring Ø 24x35x6/4	F26134600 F27465600
Seal bushing Ø 45; HP alternative seal ring Ø 28x45x5.5/5	F26406300 F27465700
Seal bushing Ø 45; HP alternative seal ring Ø 30x45x7.5/4.5	F26406300 F27465700
Seal bushing Ø 44; HP alternative seal ring Ø 32x44x6/3	F27722000 F27385400
Seal bushing Ø 48; HP alternative seal ring Ø 36x48x6/3.5	F26406300 F27465800
Seal bushing Ø 55; HP alternative seal ring Ø 40x55x7.5/4.5	F27718100 F27356300
Pump shaft oil seal	F27904500
Piston guide oil seal	F27904200
Head	F27726000

For Disassembling Part:	Tool Part Number
Pump suction valve KT24A, KT26A, KT28A and KT30A	F26019400 F27513700
Pump suction valve KT36A and KT40A	F26019400 F27516900
Pump outlet valve version KT24A, KT26K, KT28A, KT30A	F26019400 F27513600
Outlet valves	F26019400
Valve plugs	F26019400
Piston guide oil seal	F26019400 F27503800

5. MAINTENANCE LOG**HOURS & DATE**

OIL CHANGE							
GREASE							
PACKING REPLACEMENT							
PLUNGER REPLACEMENT							
VALVE REPLACEMENT							



GP Companies, Inc.
 1174 Northland Drive
 Mendota Heights, MN 55120
 Phone:651.686.2199 Fax: 800.535.1745
 www.generalpump.com email: sales@gpcompanies.com

Ref 300943 Rev.A
 03-14