

INSTALLATION

1. General Pumps are positive displacement pumps and are capable of developing very high fluid pressures. This pressure is capable of causing severe injury and property damage. Always use properly set pressure relief and pressure regulating valves rated for the pump's performance. Be sure that all components are rated to withstand the maximum working pressure of the system.
2. Mount the pump on a rigid horizontal and level surface.
3. In order to minimize stress in the system, always use a hose to connect the inlet and outlet of the pump to the rigid system piping. Be sure to use teflon tape or pipe sealant with teflon on all fluid connections.
4. Be sure the inlet supply lines are 1-1/2 to 2 times the inlet port size to prevent inadequate water supply from starving the pump. Inadequate water supply causes cavitation, a leading cause of pump failure. Keep fittings and elbows to a minimum, especially within 12 inches of the pump entrance.
5. Be sure there is an inlet strainer that filters down to a maximum particle size of 40 micron — a 10 micron filtration is preferred. Finer filtration (below 40 micron) will reduce the effects of erosion and extend pump life. Be sure the rating on the filter is twice the flow rate of the pump, and it is cleaned regularly.
6. Connect a pulsation damper to the discharge line. Precharge the vessel to 50% of the system operating pressure.

SPECIFICATIONS

Max. Volume	4.2 GPM
Max. Discharge Pressure	2500 PSI
Max. Inlet Pressure	125 PSI
Max. Inlet Vacuum, up to 140°F Ft. Water (in. Hg)	9 (7.9)
Max. Pump Speed	1750 RPM
Bore	.708 in. (18 mm)
Stroke	.512 in. (13 mm)
Crankcase Capacity Use General Pump Oil	14 oz.
Max. Fluid Temperature	195°F
Inlet Port Thread	1/2-14 BSPP - F
Discharge Port Thread	3/8-19 BSPP - F
Shaft Diameter – 184C Motor	1.126 in. I.D.
Weight	20 lb.
Dimensions	8.8 x 8.8 x 6.3 in.

WARRANTY

The following statement is intended to assist our customers in understanding the terms of our warranty, the circumstances under which we will honor claims, and the procedure for making such claims.

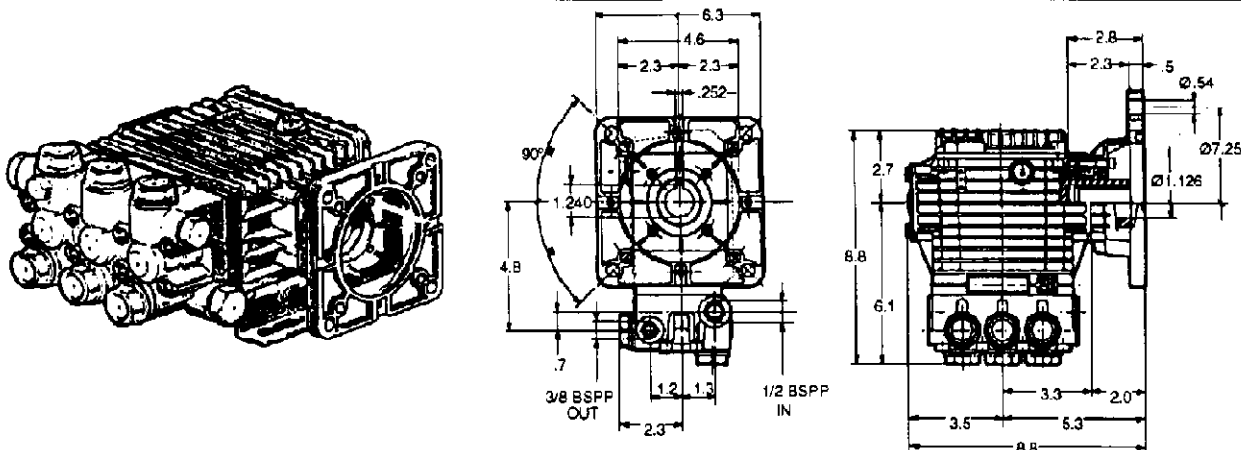
General Pump/US warrants each pump manufactured by General Pump/Interpump to be free of defects in material or workmanship for a period of five (5) years from the date of shipment. In addition, General Pump/US warrants all forged brass pump manifolds to be free of defects in material and workmanship and from damage resulting from freezing for the life of the pump. Liability under this warranty is on all non-wear parts and limited to the repair or replacement of any pump returned to General Pump/US which upon inspection, is judged to be defective due to workmanship or material failure. Accessories have a 90 day warranty against defects in material and workmanship. Any product returned to General Pump should be shipped freight prepaid to General Pump - 1335 Mendota Heights Road - Mendota Heights, MN 55120 and must display a Return Authorization Number obtained from General Pump's Customer Service Department (612)454-6500 FAX 1-800-535-1745. General Pump/US agrees to be responsible for return shipping costs on any approved warranty repair or replacement utilizing a carrier of our choice.

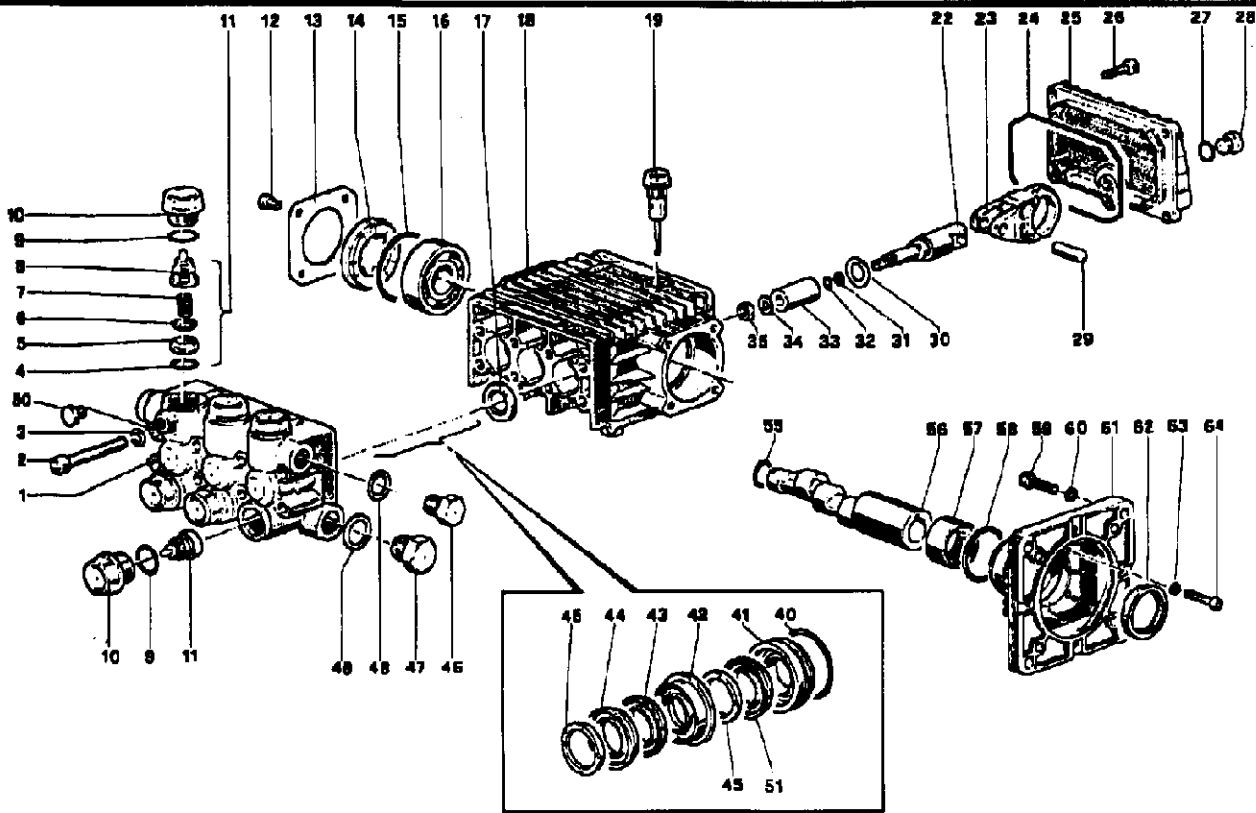
In the course of marketing or servicing the customer or potential customer's needs, General Pump/US will use its best judgement in its recommendations. However, the ultimate responsibility for product application decisions shall rest with the customer. The sole and only warranty made by General Pump/US is the limited warranty described above. General Pump/US makes no other warranty or warranties of any kind, express or implied, including any implied warranty or merchantability or of fitness for a particular use or purpose. General Pump/US disclaims and denies any liability for any direct, indirect, special, incidental or consequential damages which may be suffered as a result of sale, delivery, servicing, use, loss of any product, downtime, labor, freight or other charges not expressly included herein. The only liability and the total liability of General Pump/US under this limited warranty or in any claim regarding or involving General Pump/US is expressly limited to the replacement of or purchase price of the product.

The following items are not warranted, due to matters beyond General Pump/US control. 1) Normal wear and tear to parts that are considered standard wear parts; 2) Defects caused by the fault or negligence of the buyer or third party; 3) Use of unauthorized repair parts, or 4) modifications made by the customer. Call customer service if any other questions arise.

This supersedes and replaces non-dated warranties or previously dated warranties (1/10/94).

DIMENSIONAL DRAWING





PARTS LIST

ITEM	PART NO.	DESCRIPTION	KIT NO.	QTY.
1.	44.1204.41	Head, Pump		1
2.	99.3175.00	Screw, M8 x 60		8
3.	96.7014.00	Washer, M8.4		8
4.	90.3841.00	O-Ring, .674 x .103	123	6
5.	36.2003.66	Seat, Valve	123	6
6.	36.2001.76	Valve	123	6
7.	94.7376.00	Spring	123	6
8.	36.2025.51	Cage, Valve	123	6
9.	90.3847.00	O-Ring, .797 x .103	124	6
10.	98.2226.00	Cap	124	6
11.	36.7115.01	Valve Assembly	123	6
12.	99.1807.00	Screw, M6 x 10		4
13.	50.1500.74	Cover, Bearing		1
14.	44.2118.01	Spacer		1
15.	90.4097.00	O-Ring, 1.750 x .139		1
16.	91.8328.00	Bearing		1
17.	90.1614.00	Seal, Oil	23	3
18.	44.0100.22	Crankcase		1

ITEM	PART NO.	DESCRIPTION	KIT NO.	QTY.
19.	98.2103.00	Oil Dip Slick		1
22.	44.0500.66	Guide, Piston		3
23.	44.0300.22	Rod, Connecting		3
24.	90.3920.00	O-Ring, 3.967 x .103		1
25.	44.1600.22	Cover, Rear		1
26.	99.1837.00	Screw, M6 x 14		5
27.	90.3585.00	O-Ring, .426 x .070		1
28.	98.2041.00	Screw, Cap		1
29.	97.7340.00	Pin		3
30.	96.7350.00	Washer, M16		3
31.	90.5022.00	Ring, Back-up		3
32.	90.3572.00	O-Ring, .208 x .070		3
33.	44.0401.09	Piston, (18 mm)		3
34.	96.7008.00	Washer, M8		3
35.	92.2216.00	Nut, M8 x 13		3
40.	90.3612.00	O-Ring, 1.239 x .070	126,131	3
41.	44.0801.70	Retainer, Packing	126,131	3
42.	44.2161.70	Ring, Intermed.	128,131	3

ITEM	PART NO.	DESCRIPTION	KIT NO.	QTY.
43.	90.2683.00	Ring, Restop	127,131	3
44.	90.2682.00	Packing, Brown	127,131	3
45.	44.1001.51	Ring, Head	129,131	6
46.	96.2100.00	Screw, Cap		1
47.	98.2176.00	Screw, Cap		1
48.	96.7380.00	Washer, M17.5		1
49.	96.7514.00	Washer, M21.5		1
50.	98.1968.00	Plug, Gauge Port		1
51.	700102	Packing, Black	127	3
55.	90.0635.00	Cir-Clip		1
56.	44.0216.65	Crankshaft		1
57.	91.8568.00	Bearing		1
58.	90.4097.00	O-Ring, 2.19 x .139		1
59.	99.4600.00	Screw		4
60.	96.7195.00	Washer, M12		4
61.	10.0504.22	Flange, Electric		1
62.	90.1690.00	Seal		1
63.	96.6938.00	Washer, M6.14		4
64.	99.1912.00	Screw, M6 x 30		4

REPAIR KITS

KIT NO.	23	123	124	126	127HT	128	129	131
ITEM NO'S INCLUDED IN KIT	17	4, 5, 6, 7, 8, (11)	9, 10	40, 41	43, 44, 51	42	45	40, 41, 42, 43, 44, 45
NUMBER OF ASSEMBLIES IN KIT	3	6	6	3	3/3/3	3	6	1/2
NUMBER OF CYLINDERS KIT WILL SERVICE	3	3	3	3	3	3	3	1

TORQUE SPECS*

Position	Ft./lbs.
2	14.7
10	73.7
12	7.3
26	7.3
28	14.7
35	11.0
39	14.7
46	29.4
47	29.4

*Decrease torque by 20% if threads are lubricated.

GENERAL PUMP INCORPORATED

1335 MENDOTA HEIGHTS ROAD • MENDOTA HEIGHTS, MN 55120 • PHONE: (612) 454-8500 • FAX: (612) 454-4524

300326 Rev. A
5-94

