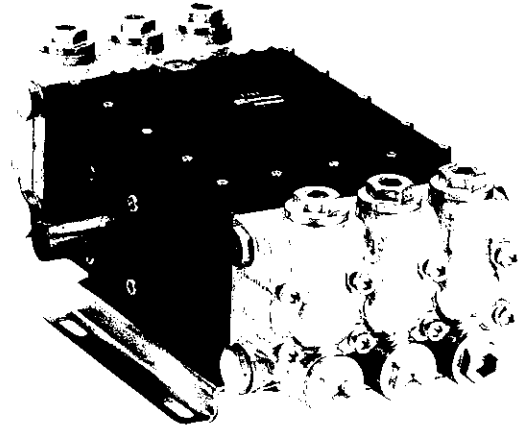


# AT Series 77

## Sixplex Plunger Pump, Splined Shaft

### FEATURES

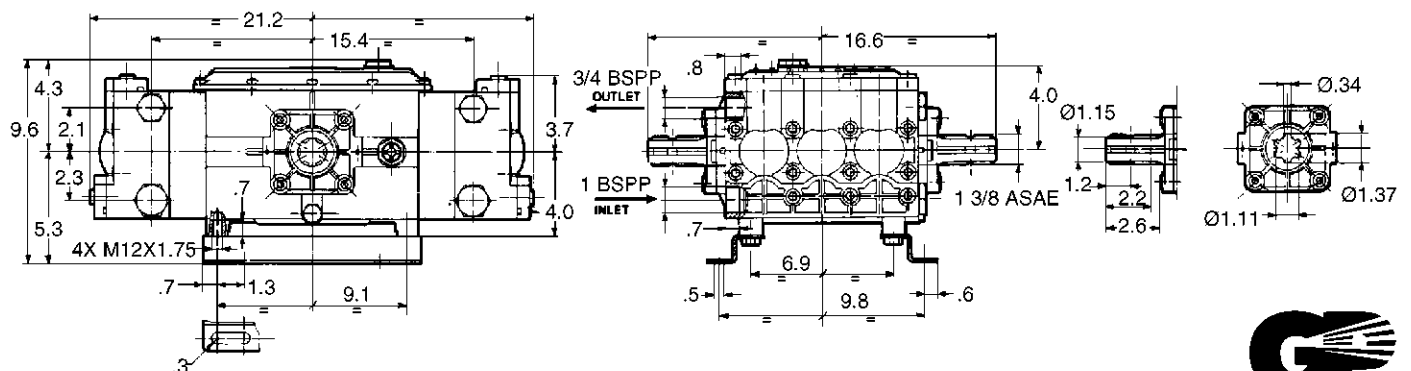
- Forged brass manifold with an exclusive lifetime warranty
- High-flow applications
- Dual manifolds utilizing a common crankcase for efficient performance
- Solid ceramic plungers with continuously lubricated packings
- Unitized stainless steel inlet and discharge valves
- Bronze connecting rods for maximum life



### SPECIFICATIONS

Pump Model	AT0111B	AT0177B
Maximum Volume	29.1 GPM	45.0 GPM
Maximum Discharge Pressure	725 PSI	870 PSI
Maximum Pump Speed	550 RPM	650 RPM
Maximum Inlet Pressure	125 PSI	
Bore	1.771 in. / 45 mm	
Stroke (in./mm)	.945 / 24	1.102 / 28
Crankcase Oil Capacity	71 oz.	
Maximum Fluid Temperature	165°F	
Inlet Port Thread	1-11 BSPP-F	
Discharge Port Thread	3/4-14 BSPP-F	
Shaft Diameter	1-3/8" ASAE splined	
Weight	156 lbs.	
Dimensions	21 x 17 x 9.5 in.	

### DIMENSIONAL DRAWING

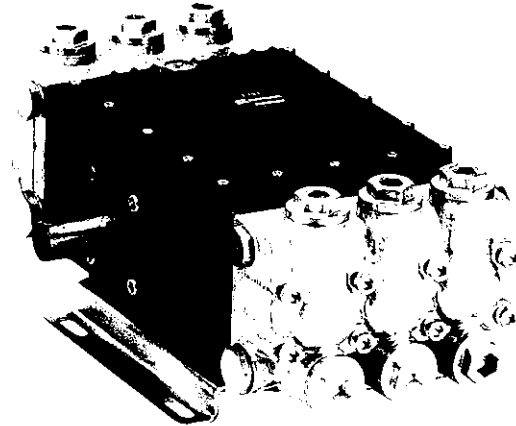


# AT Series 77

## Sixplex Plunger Pump, Splined Shaft

### FEATURES

- Forged brass manifold with an exclusive lifetime warranty
- High-flow applications
- Dual manifolds utilizing a common crankcase for efficient performance
- Solid ceramic plungers with continuously lubricated packings
- Unitized stainless steel inlet and discharge valves
- Bronze connecting rods for maximum life



### SPECIFICATIONS

Pump Model	AT0111B	AT0177B
Maximum Volume	29.1 GPM	45.0 GPM
Maximum Discharge Pressure	725 PSI	870 PSI
Maximum Pump Speed	550 RPM	650 RPM
Maximum Inlet Pressure	125 PSI	
Bore	1.771 in. / 45 mm	
Stroke (in./mm)	.945 / 24	1.102 / 28
Crankcase Oil Capacity	71 oz.	
Maximum Fluid Temperature	165°F	
Inlet Port Thread	1-11 BSPP-F	
Discharge Port Thread	3/4-14 BSPP-F	
Shaft Diameter	1-3/8" ASAE splined	
Weight	156 lbs.	
Dimensions	21 x 17 x 9.5 in.	

### DIMENSIONAL DRAWING

